

PARTS LIST

[KD-DV5000]

* All printed circuit boards and its assemblies are not available as service parts.

Area suffix

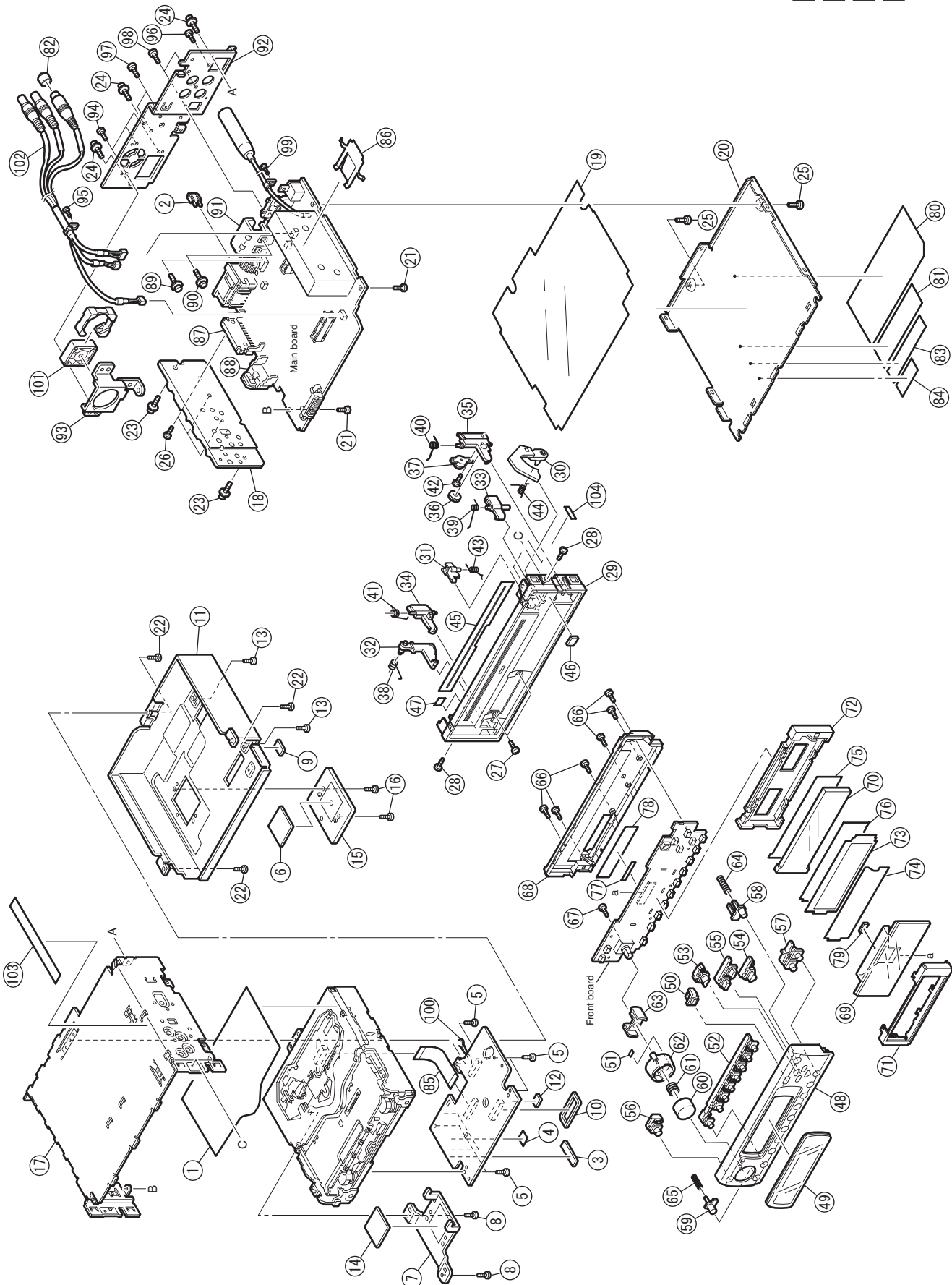
E----- Continental Europe

- Contents -

Exploded view of general assembly and parts list (Block No.M1)	3- 2
DVD mechanism assembly and parts list (Block No.MJ)	3- 4
Electrical parts list (Block No.01~04)	3- 6
Packing materials and accessories parts list (Block No.M3)	3-16

Exploded view of general assembly and parts list

Block No. **M 1 M M**



General assembly

Block No. [M][1][M][M]

△ Symbol No.	Part No.	Part Name	Description	Local
1	LV34460-001A	INSULATOR MECHA		
△ 2	QMFZ039-150-T	FUSE	F950	
3	LV43593-001A	SPECER		
4	LV40848-041A	SPECER	(x3)	
5	VKZ4539-026	MINI SCREW	(x5)	
6	LV42205-001A	COOLING RUBBER		
7	LV34062-002A	HEAT SINK(P)		
8	QYSDST2604Z	SCREW	2.6mm x 4mm(x2)	
9	LV43481-002A	COOLING RUBBER		
10	LV43445-001A	SPACER(CN)		
11	LV21469-002A	SHIELD(MECHA)		
12	LV40847-009A	SPACER(H)		
13	QYSDST2604Z	SCREW	2.6mm x 4mm(x2)	
14	LV42205-001A	COOLING RUBBER		
15	LV43394-002A	H.SINK(MECHA)		
16	QYSDST2606Z	SCREW	2.6mm x 6mm(x2)	
17	LV10774-003A	TOP CHASSIS		
18	LV34061-001A	SIDE HEAT SINK		
19	LV34063-001A	INSULATOR		
20	LV34058-001A	BOTTOM COVER		
21	QYSDST2606Z	SCREW	2.6mm x 6mm(x2)	
22	QYSDST2604Z	SCREW	2.6mm x 4mm(x3)	
23	FSKZ4005-001	SCREW	(x2)	
24	LV41200-001A	SPECIAL SCREW	(x3)	
25	QYSDST2606Z	SCREW	2.6mm x 6mm(x2)	
26	QYSDST2612Z	SCREW	2.6mm x 12mm(x3)	
27	QYSDSF2006M	SCREW	2mm x 6mm(x2)	
28	QYSDST2004M	MINI SCREW	2mm x 4mm(x2)	
29	LV34065-001A	FRONT CHASSIS A		
30	GE30827-001A	OPEN LEVER		
31	GE30824-002A	LOCK LEVER(O.L)		
32	GE30826-001A	RELEASE LEVER		
33	GE30829-001A	LOCK LEVER(TOP)		
34	GE30825-001A	LOCK LEVER(L)		
35	GE30828-001A	LOCK LEVER(R)		
36	GE40154-001A	GEAR		
37	QZW0108-002	OIL DAMPER		
38	VKW5264-005	T.SPRING		
39	FSKW4012-002	T.SPRING		
40	GE40155-001A	T.SPRING		
41	LV43392-001A	T.SPRING		
42	QYSDSF2006M	SCREW	2mm x 6mm	
43	GE40157-001A	T.SPRING		
44	GE40153-001A	T.SPRING		
45	GE40156-001A	BLIND		
46	FSYH4036-046	SHEET		
47	LV40848-042A	SPACER(P)		
48	LV10775-004A	FRONT PANEL		
49	LV34087-006A	FINDER		
50	LV34094-001A	REMOTE LENS		
51	LV40848-008A	SPECER		
52	LV21458-001A	PRESET BUTTON		
53	LV34088-001A	PUSH BUTTON 1		
54	LV34089-001A	PUSH BUTTON 2		
55	LV34090-001A	UP/DOWN BUTTON		
56	LV34091-001A	PUSH BUTTON 3		
57	LV34127-002A	PUSH BUTTON 4		
58	LV34092-001A	EJECT BUTTON		
59	LV34093-001A	DETACH BUTTON		
60	LV34095-001A	VOL KNOB ASSY		
61	LV43183-001A	COMP.SPRING		
62	LV34098-001A	KNOB RING		
63	LV34099-001A	KNOB LENS		
64	VKW3001-330	COMP.SPRING		
65	VKW3001-330	COMP.SPRING		
66	VKZ4777-001	MINI SCREW	(x6)	
67	VKZ4777-001	MINI SCREW		
68	LV10776-001A	REAR COVER		
69	QLD0232-001	LCD MODULE		
70	LV42850-002A	L.C.D.LENS		
71	LV34100-001A	LCD CASE		
72	LV33404-001A	LENS CASE		
73	LV42884-001A	LCD FILTER		
74	LV42894-001A	BRIGHT SHEET		

△ Symbol No.	Part No.	Part Name	Description	Local
75	LV42955-002A	LENS SHEET		
76	LV42995-001A	LCD FILTER		
77	LV43084-001A	DOUBLE FACE		
78	LV40848-034A	SPACER(P)		
79	LV40846-036A	SPACER(F)		
80	LV34102-001A	NAME PLATE		
81	LV34352-002A	LABEL(DVD)		
82	GE40101-001A	PIN CAP		
83	LV41843-001A	LASER CAUTION		
84	E70891-001	CLASS 1 LABEL		
85	QUQ105-5005BB	FFC WIRE		
86	VMA4652-001SS	EARTH PLATE		
87	LV43349-001A	POWE IC BKT		
88	LV43373-001A	REG IC BKT		
89	QYSPSPD2608Z	SCREW	M2.6 x 8mm	
90	QYSPSPD2608Z	SCREW	M2.6 x 8mm	
91	LV34060-001A	REAR HEAT SINK		
92	LV34059-003A	REAR BRACKET		
93	LV43348-002A	FAN BRACKET		
94	QYSDST2606Z	SCREW	2.6mm x 6mm(x3)	
95	QYSDST2606Z	SCREW	2.6mm x 6mm	
96	LV41200-001A	SPECIAL SCREW		
97	QYSDST2606Z	SCREW	2.6mm x 6mm(x2)	
98	QYSDSF3008Z	SCREW	M3 x 8mm(x2)	
99	QYSDST2606Z	SCREW	2.6mm x 6mm	
100	WJM0349-001A	E-SI C WIRE C-F		
101	QAR0294-001	FAN MOTOR		
102	QAM0457-001	CAR CABLE		
103	LV40848-044A	SPACER(P)		
104	LV40848-043A	SPACER(P)		

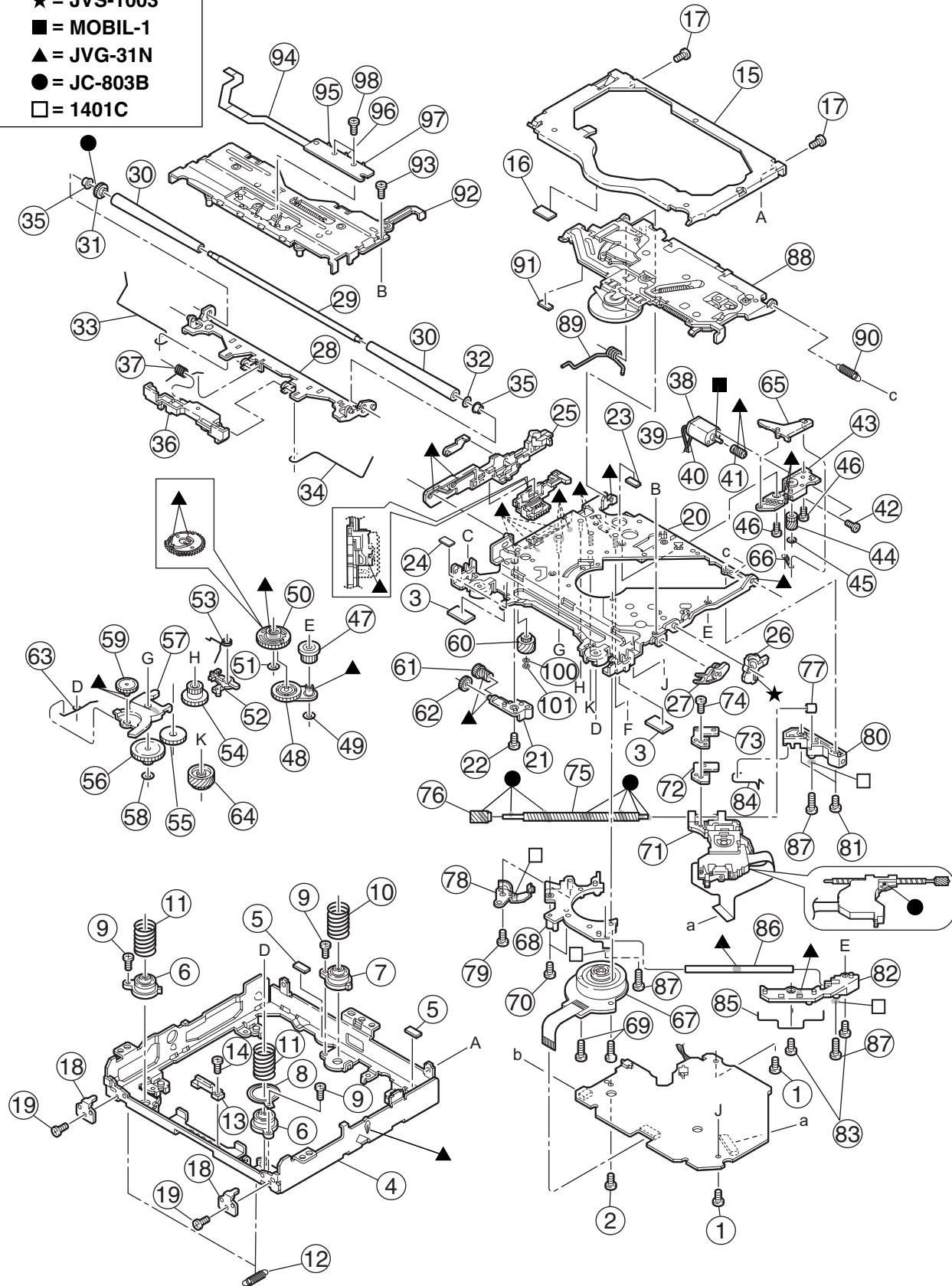
DVD mechanism assembly and parts list

Block No. M J M M

Grease

- ★ = JVS-1003
- = MOBIL-1
- ▲ = JVG-31N
- = JC-803B
- = 1401C

FLM-JD1-1



DVD mechanism

Block No. [M][J][M][M]

△ Symbol No.	Part No.	Part Name	Description	Local
1	VKZ4539-026	MINI SCREW	(x2)	
2	QYSPSFT2040Z	TAP SCREW	M2 x 4mm	
3	LV43481-001A	COOLING RUBBER	(x2)	
4	LV10674-001A	CHASSIS FRAME		
5	LV30225-0J6A	SPACER	(x2)	
6	LV33684-001A	DAMPER(F)	(x2)	
7	LV33685-001A	DAMPER(R)		
8	LV34418-001A	DAMPER RING		
9	QYSDST2005Z	SCREW	2mm x 5mm(x3)	
10	LV43039-001A	DAMPER SP.(R)		
11	LV43040-001A	DAMPER SP.(F)	(x2)	
12	LV43041-001A	FLOATING SPRING	(x2)	
13	LV43351-001A	DV LENS		
14	QYSDST2005Z	SCREW	2mm x 5mm	
15	LV10675-001A	TOP COVER		
16	LV30225-0J5A	SPACER		
17	VKZ4539-026	MINI SCREW	(x2)	
18	LV33669-001A	STOPPER	(x2)	
19	VKZ4539-026	MINI SCREW	(x2)	
20	LV21297-002A	CHAS. BASE ASSY		
21	LV33608-001A	GEAR HOLDER		
22	VKZ4539-026	MINI SCREW		
23	LV43561-001A	ABSORBER		
24	LV30225-0J5A	SPACER		
25	LV33683-002A	SLIDE CAM ASSY		
26	LV33610-001A	FLOATING ARM		
27	LV33611-001A	CONNECT ARM		
28	LV33678-002A	LOADING A. ASSY		
29	LV43049-001A	LOADING SHAFT		
30	LV43052-002A	ROLLER	(x2)	
31	LV33612-001A	LOADING GEAR		
32	QYWFM124013	WASHER	2.4mm/21.1mm x 0.01mm	
33	LV43053-001A	ROD(L)		
34	LV43054-002A	ROD(R)		
35	LV43001-001A	COLLAR	(x2)	
36	LV21285-001A	PROTECTOR		
37	LV43055-001A	PROTECTOR SP.		
38	QAR0144-001	MOTOR		
39	QUB540-09A1A1	WIRE		
40	QUB541-09A1A1	WIRE		
41	LV43002-002A	WORM GEAR		
42	QYSPSPT2025M	MINI SCREW	2mm x 2.5mm(x2)	
43	LV33679-001A	MOTOR H. ASSY		
44	LV33614-002A	WORM WHEEL		
45	QYWDL1230250	SLIT WASHER	3mm/1.2mm x 0.25mm	
46	VKZ4539-026	MINI SCREW	(x2)	
47	LV33615-001A	GEAR 2		
48	LV43057-001A	IDLER ARM ASSY		
49	QYWDL1635252	SLIT WASHER	3.5mm/1.6mm x 0.25mm	
50	LV21286-001A	CONTROL CAM		
51	QYWDL1230250	SLIT WASHER	3mm/1.2mm x 0.25mm	
52	LV33616-001A	LOAD LOCK LEVER		
53	LV43060-001A	CAM SPRING		
54	LV43005-001A	GEAR 4		
55	LV43006-001A	GEAR 5		
56	LV33617-001A	GEAR 6		
57	LV33618-001A	LOADING G. ARM		
58	QYWDL1635252	SLIT WASHER	3.5mm/1.6mm x 0.25mm	
59	LV43007-001A	GEAR 7		
60	LV33619-001A	GEAR 8		
61	LV33620-001A	GEAR 9		
62	LV43008-001A	GEAR10		
63	LV43061-001A	LOAD SPRING		
64	LV33621-001A	FEED GEAR		
65	LV33622-001A	TRIGGER ARM		
66	LV43062-001A	FEED TRI.SPRING		
67	QAR0240-001	SPINDLE MOTOR		
68	LV21287-001A	SPINDLE BASE		
69	QYSPSTT2065M	TAP SCREW	M2 x 6.5mm(x2)	
70	VKZ4539-026	MINI SCREW	(x2)	
71	QAL0427-001	DVD PICK UP		
72	LV33623-001A	RACK PLATE		
73	LV43009-001A	RACK SPRING		
74	QYSPSPT1740N	SCREW	M1.7 x 4mm	

△ Symbol No.	Part No.	Part Name	Description	Local
75	LV43037-001A	LEAD SCREW		
76	LV43010-001A	L.S.GEAR		
77	LV43063-001A	L.S.COLLAR		
78	LV43011-001A	THRUST SPRING		
79	QYSPSFT2040Z	TAP SCREW	M2 x 4mm	
80	LV33624-001A	HOLDER(M)		
81	VKZ4539-026	MINI SCREW	(x2)	
82	LV21288-001A	HOLDER(S)		
83	VKZ4539-026	MINI SCREW	(x2)	
84	LV43064-001A	ROD(M)		
85	LV43065-001A	ROD(S)		
86	LV43066-001A	SUB SHAFT		
87	VKZ4730-001	SPECIAL SCREW	(x3)	
88	LV21298-002A	CLAMPER UNIT		
89	LV43070-001A	CLAMPER SPRING		
90	LV43355-001A	CLAMPER2 SPRING		
91	LV30225-0J6A	SPACER		
92	LV21299-003A	FRONT UNIT		
93	VKZ4539-026	MINI SCREW		
94	LVB30012-001A	FPC		
95	NSW0187-001	SWITCH		
96	NSW0187-001	SWITCH		
97	NSW0187-001	SWITCH		
98	VKZ4539-025	MINI SCREW	(x2)	
100	QYWFM215013	WASHER		
101	LV42132-001A	E RING		

Electrical parts list

Main board

Block No. [0][1][0][0]

Symbol No.	Part No.	Part Name	Description	Local
△ IC1	TB2118F-X	PLL IC		
△ IC31	SAA6579T-X	IC		
IC302	LC75344M-X	IC		
IC306	NJM4565M-WE	IC		
IC321	TDA7404D-X	IC		
IC331	M62449FP-X	IC		
IC371	TB2901H	IC		
IC521	MM1510XN-X	IC		
IC541	TC7SET08F-X	IC		
IC542	GP1FA513TZ	OPTICAL JACK		
△ IC601	UPD784217AGC232	IC		
IC602	BD4833FVE-W	IC		
IC685	BR24L32F-W-X	IC		
IC691	MM74HC126SJ-X	IC		
IC901	NJM2360AM-X	IC		
△ IC911	HA13164A	IC		
IC921	PQ1CG3032FZ	IC		
IC923	NJM2396F33	IC		
Q1	UN2211-X	TRANSISTOR		
Q2	UN2211-X	TRANSISTOR		
Q21	UN2211-X	TRANSISTOR		
Q22	2SB624/4/-X	TRANSISTOR		
Q23	2SB709A/R/-X	TRANSISTOR		
Q24	UN2211-X	TRANSISTOR		
Q25	2SD601A/R/-X	TRANSISTOR		
Q26	UN2111-X	TRANSISTOR		
Q31	2SD601A/R/-X	TRANSISTOR		
Q32	2SD601A/R/-X	TRANSISTOR		
Q33	UN2211-X	TRANSISTOR		
Q34	UN2111-X	TRANSISTOR		
Q35	UN2111-X	TRANSISTOR		
Q71	2SD601A/R/-X	TRANSISTOR		
Q81	2SD601A/R/-X	TRANSISTOR		
Q111	2SD1048/6-7/-X	TRANSISTOR		
Q112	2SD1048/6-7/-X	TRANSISTOR		
Q161	2SD1781K/QR/-X	TRANSISTOR		
Q162	2SD1781K/QR/-X	TRANSISTOR		
Q211	2SD1048/6-7/-X	TRANSISTOR		
Q212	2SD1048/6-7/-X	TRANSISTOR		
Q261	2SD1781K/QR/-X	TRANSISTOR		
Q262	2SD1781K/QR/-X	TRANSISTOR		
Q351	2SD601A/R/-X	TRANSISTOR		
Q378	UN2211-X	TRANSISTOR		
Q379	UN2211-X	TRANSISTOR		
Q380	UN2213-X	DIGI TRANSISTOR		
Q381	UN2113-X	TRANSISTOR		
Q531	2SD1994A/RS/-T	TRANSISTOR		
Q532	UN2111-X	TRANSISTOR		
Q533	UN2211-X	TRANSISTOR		
Q601	2SB709A/R/-X	TRANSISTOR		
Q701	UN2111-X	TRANSISTOR		
Q702	UN2211-X	TRANSISTOR		
Q911	2SB709A/R/-X	TRANSISTOR		
Q912	UN2211-X	TRANSISTOR		
Q913	UN2111-X	TRANSISTOR		
Q914	UN2211-X	TRANSISTOR		
Q924	UN2211-X	TRANSISTOR		
Q951	UN2211-X	TRANSISTOR		
Q961	UN2211-X	TRANSISTOR		
Q962	2SD601A/R/-X	TRANSISTOR		
Q963	UN2211-X	TRANSISTOR		
Q979	UN2111-X	TRANSISTOR		
Q981	UN2111-X	TRANSISTOR		
Q982	UN2111-X	TRANSISTOR		
Q983	UN2213-X	DIGI TRANSISTOR		
Q984	2SB709A/R/-X	TRANSISTOR		
D21	MA152WK-X	SI DIODE		
D22	1SS355-X	SI DIODE		
D23	1SS355-X	SI DIODE		
D161	MA152WA-X	DIODE		
D177	RB160M-30-X	SB DIODE		
D178	RB160M-30-X	SB DIODE		
D179	RB160M-30-X	SB DIODE		
D180	RB160M-30-X	SB DIODE		
D261	MA152WA-X	DIODE		
D277	RB160M-30-X	SB DIODE		
D278	RB160M-30-X	SB DIODE		
D279	RB160M-30-X	SB DIODE		
D280	RB160M-30-X	SB DIODE		
D311	MA152WA-X	DIODE		
D351	1SS355-X	SI DIODE		
D352	1SS355-X	SI DIODE		
D371	1SS355-X	SI DIODE		
D380	UDZS11B-X	Z DIODE		
D511	UDZS6.2B-X	Z DIODE		
D530	RB160M-30-X	SB DIODE		
D531	UDZS12B-X	Z DIODE		
D541	RB160M-30-X	SB DIODE		
D601	1SS355-X	SI DIODE		
D785	UDZS6.2B-X	Z DIODE		
D786	UDZS6.2B-X	Z DIODE		
D791	UDZS6.2B-X	Z DIODE		
D792	UDZS6.2B-X	Z DIODE		
D793	UDZS6.2B-X	Z DIODE		
D794	UDZS6.2B-X	Z DIODE		
D795	UDZS6.2B-X	Z DIODE		
D796	UDZS6.2B-X	Z DIODE		
D797	UDZS6.2B-X	Z DIODE		
D798	1SS355-X	SI DIODE		
D901	RB160M-30-X	SB DIODE		
D911	MA152WK-X	SI DIODE		
D912	1SS355-X	SI DIODE		
D921	RB051L-40-X	SB DIODE		
D950	1N5401-F64	DIODE		
D961	MA152WA-X	DIODE		
D962	RB160M-30-X	SB DIODE		
D965	RB160M-30-X	SB DIODE		
D976	1SS355-X	SI DIODE		
D981	MA152WA-X	DIODE		
D982	UDZS11B-X	Z DIODE		
D983	MA152WA-X	DIODE		
C1	NCS31HJ-470X	C CAPACITOR	47pF 50V J	
C2	NCB31HK-103X	C CAPACITOR	0.01uF 50V K	
C3	NDC31HJ-100X	C CAPACITOR	10pF 50V J	
C4	NCS31HJ-7R0X	C CAPACITOR	7pF 50V J	
C5	NCS31HJ-101X	C CAPACITOR	100pF 50V J	
C7	QEKJ1CM-226Z	E CAPACITOR	22uF 16V M	
C8	QERF1AM-227Z	E CAPACITOR	220uF 10V M	
C9	NCF31CZ-473X	C CAPACITOR	0.047uF 16V Z	
C10	QEKJ1CM-106Z	E CAPACITOR	10uF 16V M	
C11	NDC31HJ-100X	C CAPACITOR	10pF 50V J	
C12	NDC31HJ-470X	C CAPACITOR	47pF 50V J	
C13	NCB31HK-103X	C CAPACITOR	0.01uF 50V K	
C14	NCB31HK-103X	C CAPACITOR	0.01uF 50V K	
C15	NCB31HK-103X	C CAPACITOR	0.01uF 50V K	
C16	NFV41CJ-473X	MPPS CAPACITOR	0.047uF 16V J	
C17	NCB31HK-103X	C CAPACITOR	0.01uF 50V K	
C18	NCB31HK-272X	C CAPACITOR	2700pF 50V K	
C19	NCB31HK-102X	C CAPACITOR	1000pF 50V K	
C20	NCS31HJ-101X	C CAPACITOR	100pF 50V J	
C21	NCB31HK-102X	C CAPACITOR	1000pF 50V K	
C22	NCF31CZ-473X	C CAPACITOR	0.047uF 16V Z	
C23	NCB31HK-103X	C CAPACITOR	0.01uF 50V K	
C24	NCB31HK-103X	C CAPACITOR	0.01uF 50V K	
C25	QEKJ1HM-104Z	E CAPACITOR	0.1uF 50V M	
C27	NCB31HK-102X	C CAPACITOR	1000pF 50V K	
C28	NCB31HK-103X	C CAPACITOR	0.01uF 50V K	
C29	QERF1AM-227Z	E CAPACITOR	220uF 10V M	
C30	QEKJ1CM-476Z	E CAPACITOR	47uF 16V M	
C31	QEKJ1HM-474Z	E CAPACITOR	0.47uF 50V M	
C32	NCB31CK-104X	C CAPACITOR	0.1uF 16V K	
C33	NCB31HK-472X	C CAPACITOR	4700pF 50V K	
C34	NCB31HK-103X	C CAPACITOR	0.01uF 50V K	

△ Symbol No.	Part No.	Part Name	Description	Local	△ Symbol No.	Part No.	Part Name	Description	Local
C35	NCS31HJ-331X	C CAPACITOR	330pF 50V J		C274	NCS31HJ-101X	C CAPACITOR	100pF 50V J	
C36	NCF31CZ-104X	C CAPACITOR	0.1uF 16V Z		C303	QEKJ1CM-226Z	E CAPACITOR	22uF 16V M	
C37	NCB31HK-103X	C CAPACITOR	0.01uF 50V K		C304	NCF31CZ-104X	C CAPACITOR	0.1uF 16V Z	
C38	QEKJ0JM-476Z	E CAPACITOR	47uF 6.3V M		C305	QERF1AM-107Z	E CAPACITOR	100uF 10V M	
C39	NCS31HJ-470X	C CAPACITOR	47pF 50V J		C306	NCF31CZ-104X	C CAPACITOR	0.1uF 16V Z	
C40	NCS31HJ-820X	C CAPACITOR	82pF 50V J		C307	QERF1AM-107Z	E CAPACITOR	100uF 10V M	
C41	NCS31HJ-561X	C CAPACITOR	560pF 50V J		C311	NCB31CK-223X	C CAPACITOR	0.022uF 16V K	
C42	NCB31HK-223X	C CAPACITOR	0.022uF 50V K		C321	QEKJ1CM-226Z	E CAPACITOR	22uF 16V M	
C43	QEKJ1HM-225Z	E CAPACITOR	2.2uF 50V M		C323	NCF31CZ-473X	C CAPACITOR	0.047uF 16V Z	
C71	NCB31HK-153X	C CAPACITOR	0.015uF 50V K		C324	QERF1AM-107Z	E CAPACITOR	100uF 10V M	
C72	QEKJ1EM-475Z	E CAPACITOR	4.7uF 25V M		C331	NCF31CZ-473X	C CAPACITOR	0.047uF 16V Z	
C73	NCS31HJ-821X	C CAPACITOR	820pF 50V J		C332	QEKJ1CM-106Z	E CAPACITOR	10uF 16V M	
C81	NCB31HK-153X	C CAPACITOR	0.015uF 50V K		C333	NCF31CZ-473X	C CAPACITOR	0.047uF 16V Z	
C82	QEKJ1EM-475Z	E CAPACITOR	4.7uF 25V M		C334	QEKJ1EM-475Z	E CAPACITOR	4.7uF 25V M	
C83	NCS31HJ-821X	C CAPACITOR	820pF 50V J		C351	QEKJ1HM-225Z	E CAPACITOR	2.2uF 50V M	
C101	QERF0JM-476Z	E CAPACITOR	47uF 6.3V M		C352	QEKJ1HM-105Z	E CAPACITOR	1uF 50V M	
C102	QEKJ1EM-475Z	E CAPACITOR	4.7uF 25V M		C353	NCB31CK-473X	C CAPACITOR	0.047uF 16V K	
C105	QERF1EM-475Z	E CAPACITOR	4.7uF 25V M		C354	QEKJ1CM-226Z	E CAPACITOR	22uF 16V M	
C106	NCS31HJ-221X	C CAPACITOR	220pF 50V J		C355	QEKJ1HM-224Z	E CAPACITOR	0.22uF 50V M	
C107	NCS31HJ-101X	C CAPACITOR	100pF 50V J		C361	NCB31HK-223X	C CAPACITOR	0.022uF 50V K	
C108	NCS31HJ-151X	C CAPACITOR	150pF 50V J		C372	NCB31HK-103X	C CAPACITOR	0.01uF 50V K	
C111	QERF1AM-227Z	E CAPACITOR	220uF 10V M		C373	QERF1CM-106Z	E CAPACITOR	10uF 16V M	
C112	NCB31EK-103X	C CAPACITOR	0.01uF 25V K		C374	QEKJ1EM-475Z	E CAPACITOR	4.7uF 25V M	
C113	NCS31HJ-471X	C CAPACITOR	470pF 50V J		C376	NCB31HK-103X	C CAPACITOR	0.01uF 50V K	
C121	QEKJ1HM-105Z	E CAPACITOR	1uF 50V M		C378	QERF1CM-226Z	E CAPACITOR	22uF 16V M	
C122	QEKJ1HM-105Z	E CAPACITOR	1uF 50V M		C379	QERF1HM-225Z	E CAPACITOR	2.2uF 50V M	
C123	QEKJ1HM-105Z	E CAPACITOR	1uF 50V M		C380	QERF1CM-476Z	E CAPACITOR	47uF 16V M	
C124	QEKJ1EM-475Z	E CAPACITOR	4.7uF 25V M		C521	QERF0JM-337Z	E CAPACITOR	330uF 6.3V M	
C125	QEKJ1EM-475Z	E CAPACITOR	4.7uF 25V M		C522	QCZ0202-155Z	C CAPACITOR	1.5uF 25V Z	
C131	QEKJ1CM-106Z	E CAPACITOR	10uF 16V M		C523	QERF1AM-227Z	E CAPACITOR	220uF 10V M	
C132	NCB31HK-272X	C CAPACITOR	2700pF 50V K		C524	NCF31CZ-473X	C CAPACITOR	0.047uF 16V Z	
C133	NCB31HK-182X	C CAPACITOR	1800pF 50V K		C531	QEKJ1CM-106Z	E CAPACITOR	10uF 16V M	
C134	NCB31HK-682X	C CAPACITOR	6800pF 50V K		C532	QEKJ1CM-106Z	E CAPACITOR	10uF 16V M	
C135	NCB31HK-472X	C CAPACITOR	4700pF 50V K		C533	NCB31HK-103X	C CAPACITOR	0.01uF 50V K	
C136	NCB31HK-153X	C CAPACITOR	0.015uF 50V K		C541	NCB31HK-103X	C CAPACITOR	0.01uF 50V K	
C137	NCB31HK-123X	C CAPACITOR	0.012uF 50V K		C542	QERF0JM-107Z	E CAPACITOR	100uF 6.3V M	
C138	NCB31CK-393X	C CAPACITOR	0.039uF 16V K		C543	NCB31HK-103X	C CAPACITOR	0.01uF 50V K	
C139	NCB31CK-273X	C CAPACITOR	0.027uF 16V K		C544	NCS31HJ-220X	C CAPACITOR	22pF 50V J	
C140	NCB31CK-104X	C CAPACITOR	0.1uF 16V K		C545	NCS31HJ-220X	C CAPACITOR	22pF 50V J	
C141	NCB31CK-823X	C CAPACITOR	0.082uF 16V K		C546	NCB31HK-103X	C CAPACITOR	0.01uF 50V K	
C142	QEKJ1CM-106Z	E CAPACITOR	10uF 16V M		C600	NCB31HK-102X	C CAPACITOR	1000pF 50V K	
C161	NCS31HJ-101X	C CAPACITOR	100pF 50V J		C601	NCB31EK-473X	C CAPACITOR	0.047uF 25V K	
C162	NCS31HJ-101X	C CAPACITOR	100pF 50V J		C602	QERF1AM-227Z	E CAPACITOR	220uF 10V M	
C171	NFV81CM-105X	MF CAPACITOR	1uF 16V M		C603	NCS31HJ-471X	C CAPACITOR	470pF 50V J	
C172	NFV81CM-105X	MF CAPACITOR	1uF 16V M		C604	NCS31HJ-471X	C CAPACITOR	470pF 50V J	
C173	NCS31HJ-101X	C CAPACITOR	100pF 50V J		C605	QERF1AM-227Z	E CAPACITOR	220uF 10V M	
C174	NCS31HJ-101X	C CAPACITOR	100pF 50V J		C606	NDC31HJ-8R0X	C CAPACITOR	8pF 50V J	
C201	QERF0JM-476Z	E CAPACITOR	47uF 6.3V M		C607	NDC31HJ-270X	C CAPACITOR	27pF 50V J	
C202	QEKJ1EM-475Z	E CAPACITOR	4.7uF 25V M		C608	NDC31HJ-270X	C CAPACITOR	27pF 50V J	
C205	QERF1EM-475Z	E CAPACITOR	4.7uF 25V M		C609	NDC31HJ-220X	C CAPACITOR	22pF 50V J	
C206	NCS31HJ-221X	C CAPACITOR	220pF 50V J		C610	QEKJ0JM-476Z	E CAPACITOR	47uF 6.3V M	
C207	NCS31HJ-101X	C CAPACITOR	100pF 50V J		C611	NCB31CK-104X	C CAPACITOR	0.1uF 16V K	
C208	NCS31HJ-151X	C CAPACITOR	150pF 50V J		C612	NCB31CK-104X	C CAPACITOR	0.1uF 16V K	
C211	QERF1AM-227Z	E CAPACITOR	220uF 10V M		C685	NCS31HJ-471X	C CAPACITOR	470pF 50V J	
C212	NCB31EK-103X	C CAPACITOR	0.01uF 25V K		C691	NCS31HJ-220X	C CAPACITOR	22pF 50V J	
C213	NCS31HJ-471X	C CAPACITOR	470pF 50V J		C692	NCB31CK-473X	C CAPACITOR	0.047uF 16V K	
C221	QEKJ1HM-105Z	E CAPACITOR	1uF 50V M		C693	NCS31HJ-220X	C CAPACITOR	22pF 50V J	
C222	QEKJ1HM-105Z	E CAPACITOR	1uF 50V M		C781	NCB31HK-102X	C CAPACITOR	1000pF 50V K	
C223	QEKJ1HM-105Z	E CAPACITOR	1uF 50V M		C782	QERF1AM-227Z	E CAPACITOR	220uF 10V M	
C224	QEKJ1EM-475Z	E CAPACITOR	4.7uF 25V M		C900	NCB31HK-102X	C CAPACITOR	1000pF 50V K	
C225	QEKJ1EM-475Z	E CAPACITOR	4.7uF 25V M		C902	NCB31CK-473X	C CAPACITOR	0.047uF 16V K	
C231	QEKJ1CM-106Z	E CAPACITOR	10uF 16V M		C903	QERF1CM-107Z	E CAPACITOR	100uF 16V M	
C232	NCB31HK-272X	C CAPACITOR	2700pF 50V K		C904	NCS31HJ-101X	C CAPACITOR	100pF 50V J	
C233	NCB31HK-182X	C CAPACITOR	1800pF 50V K		C905	QERF1AM-107Z	E CAPACITOR	100uF 10V M	
C234	NCB31HK-682X	C CAPACITOR	6800pF 50V K		C908	NCS31HJ-101X	C CAPACITOR	100pF 50V J	
C235	NCB31HK-472X	C CAPACITOR	4700pF 50V K		C909	NCF31CZ-473X	C CAPACITOR	0.047uF 16V Z	
C236	NCB31HK-153X	C CAPACITOR	0.015uF 50V K		C910	QERF1AM-227Z	E CAPACITOR	220uF 10V M	
C237	NCB31HK-123X	C CAPACITOR	0.012uF 50V K		C911	QEKJ1CM-106Z	E CAPACITOR	10uF 16V M	
C238	NCB31CK-393X	C CAPACITOR	0.039uF 16V K		C912	NCF31CZ-104X	C CAPACITOR	0.1uF 16V Z	
C239	NCB31CK-273X	C CAPACITOR	0.027uF 16V K		C913	QERF1AM-227Z	E CAPACITOR	220uF 10V M	
C240	NCB31CK-104X	C CAPACITOR	0.1uF 16V K		C914	NCF31CZ-104X	C CAPACITOR	0.1uF 16V Z	
C241	NCB31CK-823X	C CAPACITOR	0.082uF 16V K		C915	NCB31HK-103X	C CAPACITOR	0.01uF 50V K	
C242	QEKJ1CM-106Z	E CAPACITOR	10uF 16V M		C916	QERF1AM-227Z	E CAPACITOR	220uF 10V M	
C261	NCS31HJ-101X	C CAPACITOR	100pF 50V J		C917	QEKJ1CM-226Z	E CAPACITOR	22uF 16V M	
C262	NCS31HJ-101X	C CAPACITOR	100pF 50V J		C918	QERF1CM-226Z	E CAPACITOR	22uF 16V M	
C271	NFV81CM-105X	MF CAPACITOR	1uF 16V M		C919	QERF1AM-227Z	E CAPACITOR	220uF 10V M	
C272	NFV81CM-105X	MF CAPACITOR	1uF 16V M		C920	QEZ0595-477Z	E CAPACITOR	470uF	
C273	NCS31HJ-101X	C CAPACITOR	100pF 50V J		C921	NCF31CZ-104X	C CAPACITOR	0.1uF 16V Z	

△ Symbol No.	Part No.	Part Name	Description	Local	△ Symbol No.	Part No.	Part Name	Description	Local
C922	QEZ0595-477Z	E CAPACITOR	470uF		R162	NRSA63J-102X	MG RESISTOR	1kΩ 1/16W J	
C923	NCF31CZ-104X	C CAPACITOR	0.1uF 16V Z		R163	NRSA63J-101X	MG RESISTOR	100Ω 1/16W J	
C924	QERF1AM-227Z	E CAPACITOR	220uF 10V M		R164	NRSA63J-101X	MG RESISTOR	100Ω 1/16W J	
C925	QERF1AM-107Z	E CAPACITOR	100uF 10V M		R165	NRSA63J-222X	MG RESISTOR	2.2kΩ 1/16W J	
C927	QERF1AM-227Z	E CAPACITOR	220uF 10V M		R166	NRSA63J-222X	MG RESISTOR	2.2kΩ 1/16W J	
C928	NCB31HK-102X	C CAPACITOR	1000pF 50V K		R171	NRSA63J-0R0X	MG RESISTOR	0Ω 1/16W J	
C929	NCB31HK-102X	C CAPACITOR	1000pF 50V K		R172	NRSA63J-0R0X	MG RESISTOR	0Ω 1/16W J	
C950	QEZ0338-228	E CAPACITOR	2200uF		R173	NRSA63J-473X	MG RESISTOR	47kΩ 1/16W J	
C951	QEKJ1HM-104Z	E CAPACITOR	0.1uF 50V M		R174	NRSA63J-473X	MG RESISTOR	47kΩ 1/16W J	
C961	NCB31CK-104X	C CAPACITOR	0.1uF 16V K		R175	NRSA63J-102X	MG RESISTOR	1kΩ 1/16W J	
C962	QERF1CM-226Z	E CAPACITOR	22uF 16V M		R176	NRSA63J-102X	MG RESISTOR	1kΩ 1/16W J	
C963	QERF1CM-106Z	E CAPACITOR	10uF 16V M		R201	NRSA63J-223X	MG RESISTOR	22kΩ 1/16W J	
C964	NCF31CZ-104X	C CAPACITOR	0.1uF 16V Z		R202	NRSA63J-223X	MG RESISTOR	22kΩ 1/16W J	
C967	QERF1HM-225Z	E CAPACITOR	2.2uF 50V M		R206	NRSA63J-104X	MG RESISTOR	100kΩ 1/16W J	
C979	QERF0JM-476Z	E CAPACITOR	47uF 6.3V M		R207	NRSA63J-472X	MG RESISTOR	4.7kΩ 1/16W J	
C981	QERF0JM-476Z	E CAPACITOR	47uF 6.3V M		R208	NRSA63J-682X	MG RESISTOR	6.8kΩ 1/16W J	
C982	QERF1CM-476Z	E CAPACITOR	47uF 16V M		R209	NRSA63J-183X	MG RESISTOR	18kΩ 1/16W J	
					R211	NRSA63J-102X	MG RESISTOR	1kΩ 1/16W J	
R1	NRSA63J-103X	MG RESISTOR	10kΩ 1/16W J		R212	NRSA63J-390X	MG RESISTOR	39Ω 1/16W J	
R2	NRSA63J-103X	MG RESISTOR	10kΩ 1/16W J		R213	NRSA63J-102X	MG RESISTOR	1kΩ 1/16W J	
R3	NRSA63J-472X	MG RESISTOR	4.7kΩ 1/16W J		R214	NRSA63J-102X	MG RESISTOR	1kΩ 1/16W J	
R4	NRSA63J-222X	MG RESISTOR	2.2kΩ 1/16W J		R215	NRSA63J-220X	MG RESISTOR	22Ω 1/16W J	
R5	NRSA63J-222X	MG RESISTOR	2.2kΩ 1/16W J		R224	NRSA63J-473X	MG RESISTOR	47kΩ 1/16W J	
R6	NRSA63J-222X	MG RESISTOR	2.2kΩ 1/16W J		R225	NRSA63J-473X	MG RESISTOR	47kΩ 1/16W J	
R7	NRSA63J-222X	MG RESISTOR	2.2kΩ 1/16W J		R261	NRSA63J-102X	MG RESISTOR	1kΩ 1/16W J	
R8	NRSA63J-103X	MG RESISTOR	10kΩ 1/16W J		R262	NRSA63J-102X	MG RESISTOR	1kΩ 1/16W J	
R9	NRSA63J-622X	MG RESISTOR	6.2kΩ 1/16W J		R263	NRSA63J-101X	MG RESISTOR	100Ω 1/16W J	
R10	NRSA63J-100X	MG RESISTOR	10Ω 1/16W J		R264	NRSA63J-101X	MG RESISTOR	100Ω 1/16W J	
R11	NRSA63J-100X	MG RESISTOR	10Ω 1/16W J		R265	NRSA63J-222X	MG RESISTOR	2.2kΩ 1/16W J	
R12	NRSA63J-471X	MG RESISTOR	470Ω 1/16W J		R266	NRSA63J-222X	MG RESISTOR	2.2kΩ 1/16W J	
R13	NRSA63J-393X	MG RESISTOR	39kΩ 1/16W J		R271	NRSA63J-0R0X	MG RESISTOR	0Ω 1/16W J	
R14	NRSA63J-103X	MG RESISTOR	10kΩ 1/16W J		R272	NRSA63J-0R0X	MG RESISTOR	0Ω 1/16W J	
R15	NRSA63J-101X	MG RESISTOR	100Ω 1/16W J		R273	NRSA63J-473X	MG RESISTOR	47kΩ 1/16W J	
R16	NRSA63J-0R0X	MG RESISTOR	0Ω 1/16W J		R274	NRSA63J-473X	MG RESISTOR	47kΩ 1/16W J	
R17	NRSA63J-221X	MG RESISTOR	220Ω 1/16W J		R275	NRSA63J-102X	MG RESISTOR	1kΩ 1/16W J	
R18	NRSA63J-103X	MG RESISTOR	10kΩ 1/16W J		R276	NRSA63J-102X	MG RESISTOR	1kΩ 1/16W J	
R20	NRSA63J-220X	MG RESISTOR	22Ω 1/16W J		R303	NRSA63J-100X	MG RESISTOR	10Ω 1/16W J	
R21	NRSA63J-220X	MG RESISTOR	22Ω 1/16W J		R305	NRSA63J-100X	MG RESISTOR	10Ω 1/16W J	
R22	NRSA63J-472X	MG RESISTOR	4.7kΩ 1/16W J		R306	NRSA63J-100X	MG RESISTOR	10Ω 1/16W J	
R23	NRSA63J-473X	MG RESISTOR	47kΩ 1/16W J		R313	NRSA63J-222X	MG RESISTOR	2.2kΩ 1/16W J	
R24	NRSA63J-332X	MG RESISTOR	3.3kΩ 1/16W J		R314	NRSA63J-222X	MG RESISTOR	2.2kΩ 1/16W J	
R25	NRSA63J-473X	MG RESISTOR	47kΩ 1/16W J		R351	NRSA63J-224X	MG RESISTOR	220kΩ 1/16W J	
R26	NRSA63J-473X	MG RESISTOR	47kΩ 1/16W J		R352	NRSA63J-473X	MG RESISTOR	47kΩ 1/16W J	
R27	NRSA63J-470X	MG RESISTOR	47Ω 1/16W J		R353	NRSA63J-223X	MG RESISTOR	22kΩ 1/16W J	
R28	NRSA63J-473X	MG RESISTOR	47kΩ 1/16W J		R354	NRSA63J-184X	MG RESISTOR	180kΩ 1/16W J	
R31	NRSA63J-471X	MG RESISTOR	470Ω 1/16W J		R355	NRSA63J-123X	MG RESISTOR	12kΩ 1/16W J	
R32	NRSA63J-153X	MG RESISTOR	15kΩ 1/16W J		R356	NRSA63J-391X	MG RESISTOR	390Ω 1/16W J	
R33	NRSA63J-103X	MG RESISTOR	10kΩ 1/16W J		R357	NRSA63J-102X	MG RESISTOR	1kΩ 1/16W J	
R34	NRSA63J-103X	MG RESISTOR	10kΩ 1/16W J		R358	NRSA63J-274X	MG RESISTOR	270kΩ 1/16W J	
R35	NRSA63J-222X	MG RESISTOR	2.2kΩ 1/16W J		R378	NRSA63J-222X	MG RESISTOR	2.2kΩ 1/16W J	
R36	NRSA63J-473X	MG RESISTOR	47kΩ 1/16W J		R379	NRSA63J-100X	MG RESISTOR	10Ω 1/16W J	
R37	NRSA63J-473X	MG RESISTOR	47kΩ 1/16W J		R380	NRSA63J-473X	MG RESISTOR	47kΩ 1/16W J	
R38	NRSA63J-223X	MG RESISTOR	22kΩ 1/16W J		R381	NRSA63J-273X	MG RESISTOR	27kΩ 1/16W J	
R39	NRSA63J-473X	MG RESISTOR	47kΩ 1/16W J		R382	NRSA63J-0R0X	MG RESISTOR	0Ω 1/16W J	
R40	NRSA63J-0R0X	MG RESISTOR	0Ω 1/16W J		R383	NRSA63J-0R0X	MG RESISTOR	0Ω 1/16W J	
R42	NRSA63J-222X	MG RESISTOR	2.2kΩ 1/16W J		R384	NRSA63J-103X	MG RESISTOR	10kΩ 1/16W J	
R43	NRSA63J-222X	MG RESISTOR	2.2kΩ 1/16W J		R511	NRSA63J-271X	MG RESISTOR	270Ω 1/16W J	
R44	NRSA63J-222X	MG RESISTOR	2.2kΩ 1/16W J		R512	NRSA63J-0R0X	MG RESISTOR	0Ω 1/16W J	
R72	NRSA63J-103X	MG RESISTOR	10kΩ 1/16W J		R521	NRSA63J-100X	MG RESISTOR	10Ω 1/16W J	
R73	NRSA63J-472X	MG RESISTOR	4.7kΩ 1/16W J		R522	NRSA63J-750X	MG RESISTOR	75Ω 1/16W J	
R74	NRSA63J-104X	MG RESISTOR	100kΩ 1/16W J		R523	NRSA63J-102X	MG RESISTOR	1kΩ 1/16W J	
R82	NRSA63J-103X	MG RESISTOR	10kΩ 1/16W J		R524	NRSA63J-750X	MG RESISTOR	75Ω 1/16W J	
R83	NRSA63J-472X	MG RESISTOR	4.7kΩ 1/16W J		R525	NRSA63J-0R0X	MG RESISTOR	0Ω 1/16W J	
R84	NRSA63J-104X	MG RESISTOR	100kΩ 1/16W J		R526	NRSA63J-0R0X	MG RESISTOR	0Ω 1/16W J	
R101	NRSA63J-223X	MG RESISTOR	22kΩ 1/16W J		R531	NRSA63J-100X	MG RESISTOR	10Ω 1/16W J	
R102	NRSA63J-223X	MG RESISTOR	22kΩ 1/16W J		R532	NRSA63J-471X	MG RESISTOR	470Ω 1/16W J	
R106	NRSA63J-104X	MG RESISTOR	100kΩ 1/16W J		R541	NRSA63J-100X	MG RESISTOR	10Ω 1/16W J	
R107	NRSA63J-472X	MG RESISTOR	4.7kΩ 1/16W J		R542	NRSA63J-471X	MG RESISTOR	470Ω 1/16W J	
R108	NRSA63J-682X	MG RESISTOR	6.8kΩ 1/16W J		R543	NRSA63J-1R0X	MG RESISTOR	1Ω 1/16W J	
R109	NRSA63J-183X	MG RESISTOR	18kΩ 1/16W J		R544	NRSA63J-471X	MG RESISTOR	470Ω 1/16W J	
R111	NRSA63J-102X	MG RESISTOR	1kΩ 1/16W J		R601	NRSA63J-102X	MG RESISTOR	1kΩ 1/16W J	
R112	NRSA63J-390X	MG RESISTOR	39Ω 1/16W J		R602	NRSA63J-562X	MG RESISTOR	5.6kΩ 1/16W J	
R113	NRSA63J-102X	MG RESISTOR	1kΩ 1/16W J		R603	NRSA63J-0R0X	MG RESISTOR	0Ω 1/16W J	
R114	NRSA63J-102X	MG RESISTOR	1kΩ 1/16W J		R605	NRSA63J-562X	MG RESISTOR	5.6kΩ 1/16W J	
R115	NRSA63J-220X	MG RESISTOR	22Ω 1/16W J		R606	NRSA63J-472X	MG RESISTOR	4.7kΩ 1/16W J	
R124	NRSA63J-473X	MG RESISTOR	47kΩ 1/16W J		R607	NRSA63J-0R0X	MG RESISTOR	0Ω 1/16W J	
R125	NRSA63J-473X	MG RESISTOR	47kΩ 1/16W J		R608	NRSA63J-103X	MG RESISTOR	10kΩ 1/16W J	
R161	NRSA63J-102X	MG RESISTOR	1kΩ 1/16W J		R609	NRSA63J-222X	MG RESISTOR	2.2kΩ 1/16W J	

△ Symbol No.	Part No.	Part Name	Description	Local	△ Symbol No.	Part No.	Part Name	Description	Local
R610	NRSA63J-0R0X	MG RESISTOR	0Ω 1/16W J		R698	NRSA63J-331X	MG RESISTOR	330Ω 1/16W J	
R612	NRSA63J-471X	MG RESISTOR	470Ω 1/16W J		R699	NRSA63J-104X	MG RESISTOR	100kΩ 1/16W J	
R613	NRSA63J-471X	MG RESISTOR	470Ω 1/16W J		R701	NRSA63J-222X	MG RESISTOR	2.2kΩ 1/16W J	
R615	NRSA63J-473X	MG RESISTOR	47kΩ 1/16W J		R702	NRSA63J-473X	MG RESISTOR	47kΩ 1/16W J	
R616	NRSA63J-473X	MG RESISTOR	47kΩ 1/16W J		R781	NRSA63J-0R0X	MG RESISTOR	0Ω 1/16W J	
R617	NRSA63J-473X	MG RESISTOR	47kΩ 1/16W J		R782	NRSA63J-0R0X	MG RESISTOR	0Ω 1/16W J	
R618	NRSA63J-472X	MG RESISTOR	4.7kΩ 1/16W J		R791	NRSA63J-271X	MG RESISTOR	270Ω 1/16W J	
R619	NRSA63J-472X	MG RESISTOR	4.7kΩ 1/16W J		R792	NRSA63J-271X	MG RESISTOR	270Ω 1/16W J	
R621	NRSA63J-473X	MG RESISTOR	47kΩ 1/16W J		R793	NRSA63J-271X	MG RESISTOR	270Ω 1/16W J	
R622	NRSA63J-821X	MG RESISTOR	820Ω 1/16W J		R794	NRSA63J-271X	MG RESISTOR	270Ω 1/16W J	
R623	NRSA63J-473X	MG RESISTOR	47kΩ 1/16W J		R795	NRSA63J-271X	MG RESISTOR	270Ω 1/16W J	
R624	NRSA63J-106X	MG RESISTOR	10MΩ 1/16W J		R796	NRSA63J-271X	MG RESISTOR	270Ω 1/16W J	
R625	NRSA63J-333X	MG RESISTOR	33kΩ 1/16W J		R797	NRSA63J-271X	MG RESISTOR	270Ω 1/16W J	
R626	NRSA63J-103X	MG RESISTOR	10kΩ 1/16W J		R900	NRSA63J-102X	MG RESISTOR	1kΩ 1/16W J	
R627	NRSA63J-104X	MG RESISTOR	100kΩ 1/16W J		R901	NRSA63J-1R0X	MG RESISTOR	1Ω 1/16W J	
R628	NRSA63J-104X	MG RESISTOR	100kΩ 1/16W J		R902	NRSA63J-1R0X	MG RESISTOR	1Ω 1/16W J	
R629	NRSA63J-0R0X	MG RESISTOR	0Ω 1/16W J		R903	NRSA63J-1R0X	MG RESISTOR	1Ω 1/16W J	
R631	NRSA63J-103X	MG RESISTOR	10kΩ 1/16W J		R904	NRSA63J-1R0X	MG RESISTOR	1Ω 1/16W J	
R632	NRSA63J-103X	MG RESISTOR	10kΩ 1/16W J		R905	NRSA63J-181X	MG RESISTOR	180Ω 1/16W J	
R634	NRSA63J-473X	MG RESISTOR	47kΩ 1/16W J		R906	NRVA63D-473X	CMF RESISTOR	47kΩ 1/16W D	
R635	NRSA63J-222X	MG RESISTOR	2.2kΩ 1/16W J		R908	NRVA63D-392X	CMF RESISTOR	3.9kΩ 1/16W D	
R636	NRSA63J-473X	MG RESISTOR	47kΩ 1/16W J		R910	NRSA63J-103X	MG RESISTOR	10kΩ 1/16W J	
R637	NRSA63J-223X	MG RESISTOR	22kΩ 1/16W J		R911	NRSA63J-222X	MG RESISTOR	2.2kΩ 1/16W J	
R638	NRSA63J-222X	MG RESISTOR	2.2kΩ 1/16W J		R912	NRSA63J-473X	MG RESISTOR	47kΩ 1/16W J	
R639	NRSA63J-0R0X	MG RESISTOR	0Ω 1/16W J		R913	NRSA63J-562X	MG RESISTOR	5.6kΩ 1/16W J	
R640	NRSA63J-0R0X	MG RESISTOR	0Ω 1/16W J		R914	NRSA63J-102X	MG RESISTOR	1kΩ 1/16W J	
R642	NRSA63J-473X	MG RESISTOR	47kΩ 1/16W J		R915	NRSA63J-912X	MG RESISTOR	9.1kΩ 1/16W J	
R643	NRSA63J-103X	MG RESISTOR	10kΩ 1/16W J		R916	NRSA63J-472X	MG RESISTOR	4.7kΩ 1/16W J	
R644	NRSA63J-103X	MG RESISTOR	10kΩ 1/16W J		R918	NRSA63J-0R0X	MG RESISTOR	0Ω 1/16W J	
R645	NRSA63J-103X	MG RESISTOR	10kΩ 1/16W J		R919	NRSA63J-0R0X	MG RESISTOR	0Ω 1/16W J	
R646	NRSA63J-102X	MG RESISTOR	1kΩ 1/16W J		R920	NRSA63J-473X	MG RESISTOR	47kΩ 1/16W J	
R647	NRSA63J-392X	MG RESISTOR	3.9kΩ 1/16W J		R921	NRSA63J-472X	MG RESISTOR	4.7kΩ 1/16W J	
R648	NRSA63J-102X	MG RESISTOR	1kΩ 1/16W J		R922	NRSA63J-822X	MG RESISTOR	8.2kΩ 1/16W J	
R649	NRSA63J-392X	MG RESISTOR	3.9kΩ 1/16W J		R923	NRSA63J-102X	MG RESISTOR	1kΩ 1/16W J	
R650	NRSA63J-392X	MG RESISTOR	3.9kΩ 1/16W J		R924	NRSA63J-100X	MG RESISTOR	10Ω 1/16W J	
R651	NRSA63J-472X	MG RESISTOR	4.7kΩ 1/16W J		R927	NRSA63J-0R0X	MG RESISTOR	0Ω 1/16W J	
R652	NRSA63J-472X	MG RESISTOR	4.7kΩ 1/16W J		R951	NRSA63J-392X	MG RESISTOR	3.9kΩ 1/16W J	
R653	NRSA63J-472X	MG RESISTOR	4.7kΩ 1/16W J		R952	NRSA63J-392X	MG RESISTOR	3.9kΩ 1/16W J	
R654	NRSA63J-102X	MG RESISTOR	1kΩ 1/16W J		R953	NRSA63J-392X	MG RESISTOR	3.9kΩ 1/16W J	
R655	NRSA63J-103X	MG RESISTOR	10kΩ 1/16W J		R954	NRSA63J-392X	MG RESISTOR	3.9kΩ 1/16W J	
R656	NRSA63J-222X	MG RESISTOR	2.2kΩ 1/16W J		R961	NRSA63J-473X	MG RESISTOR	47kΩ 1/16W J	
R657	NRSA63J-222X	MG RESISTOR	2.2kΩ 1/16W J		R962	NRSA63J-102X	MG RESISTOR	1kΩ 1/16W J	
R658	NRSA63J-222X	MG RESISTOR	2.2kΩ 1/16W J		R964	NRSA63J-473X	MG RESISTOR	47kΩ 1/16W J	
R659	NRSA63J-102X	MG RESISTOR	1kΩ 1/16W J		R965	NRSA63J-103X	MG RESISTOR	10kΩ 1/16W J	
R660	NRSA63J-472X	MG RESISTOR	4.7kΩ 1/16W J		R966	NRSA63J-473X	MG RESISTOR	47kΩ 1/16W J	
R661	NRSA63J-103X	MG RESISTOR	10kΩ 1/16W J		R967	NRSA63J-103X	MG RESISTOR	10kΩ 1/16W J	
R662	NRSA63J-472X	MG RESISTOR	4.7kΩ 1/16W J		R969	NRS181J-222X	MG RESISTOR	2.2kΩ 1/8W J	
R663	NRSA63J-222X	MG RESISTOR	2.2kΩ 1/16W J		R970	NRS181J-222X	MG RESISTOR	2.2kΩ 1/8W J	
R664	NRSA63J-222X	MG RESISTOR	2.2kΩ 1/16W J		R971	QRE142J-102X	C RESISTOR	1kΩ 1/4W J	
R665	NRSA63J-222X	MG RESISTOR	2.2kΩ 1/16W J		R972	NRSA63J-104X	MG RESISTOR	100kΩ 1/16W J	
R666	NRSA63J-222X	MG RESISTOR	2.2kΩ 1/16W J		R973	NRSA63J-0R0X	MG RESISTOR	0Ω 1/16W J	
R667	NRSA63J-473X	MG RESISTOR	47kΩ 1/16W J		R974	NRSA63J-0R0X	MG RESISTOR	0Ω 1/16W J	
R670	NRSA63J-473X	MG RESISTOR	47kΩ 1/16W J		R975	NRSA63J-472X	MG RESISTOR	4.7kΩ 1/16W J	
R671	NRSA63J-102X	MG RESISTOR	1kΩ 1/16W J		R976	NRSA63J-0R0X	MG RESISTOR	0Ω 1/16W J	
R672	NRSA63J-102X	MG RESISTOR	1kΩ 1/16W J		R979	NRSA63J-471X	MG RESISTOR	470Ω 1/16W J	
R673	NRSA63J-222X	MG RESISTOR	2.2kΩ 1/16W J		R981	NRSA63J-471X	MG RESISTOR	470Ω 1/16W J	
R674	NRSA63J-222X	MG RESISTOR	2.2kΩ 1/16W J		R983	NRSA63J-563X	MG RESISTOR	56kΩ 1/16W J	
R675	NRSA63J-222X	MG RESISTOR	2.2kΩ 1/16W J		R984	NRSA63J-183X	MG RESISTOR	18kΩ 1/16W J	
R676	NRSA63J-222X	MG RESISTOR	2.2kΩ 1/16W J		VR901	QVP0033-331Z	TRIM RESISTOR	330Ω	
R677	NRSA63J-222X	MG RESISTOR	2.2kΩ 1/16W J						
R678	NRSA63J-222X	MG RESISTOR	2.2kΩ 1/16W J		L1	NQL114K-470X	COIL	47uH K	
R679	NRSA63J-222X	MG RESISTOR	2.2kΩ 1/16W J		L21	NQL334J-4R7X	COIL	4.7uH J	
R680	NRSA63J-222X	MG RESISTOR	2.2kΩ 1/16W J		L111	NQR0007-002X	FERRITE BEADS		
R681	NRSA63J-222X	MG RESISTOR	2.2kΩ 1/16W J		L211	NQR0007-002X	FERRITE BEADS		
R682	NRSA63J-103X	MG RESISTOR	10kΩ 1/16W J		L311	NQR0007-002X	FERRITE BEADS		
R683	NRSA63J-473X	MG RESISTOR	47kΩ 1/16W J		L521	NQL114K-470X	COIL	47uH K	
R684	NRSA63J-222X	MG RESISTOR	2.2kΩ 1/16W J		L541	NQR0007-002X	FERRITE BEADS		
R685	NRSA63J-103X	MG RESISTOR	10kΩ 1/16W J		L600	NQR0007-002X	FERRITE BEADS		
R686	NRSA63J-271X	MG RESISTOR	270Ω 1/16W J		L601	NQL114K-470X	COIL	47uH K	
R687	NRSA63J-271X	MG RESISTOR	270Ω 1/16W J		L604	NQL38DK-330X	COIL	33uH K	
R690	NRSA63J-103X	MG RESISTOR	10kΩ 1/16W J		L786	NQR0007-002X	FERRITE BEADS		
R691	NRSA63J-104X	MG RESISTOR	100kΩ 1/16W J		L901	NQLZ007-151X	COIL	150uH	
R692	NRSA63J-223X	MG RESISTOR	22kΩ 1/16W J		L910	NQL114K-470X	COIL	47uH K	
R693	NRSA63J-101X	MG RESISTOR	100Ω 1/16W J		L911	NQL114K-470X	COIL	47uH K	
R694	NRSA63J-473X	MG RESISTOR	47kΩ 1/16W J		L913	NQL63EM-470X	COIL	47uH M	
R695	NRSA63J-101X	MG RESISTOR	100Ω 1/16W J		L914	NQL114K-470X	COIL	47uH K	
R696	NRSA63J-473X	MG RESISTOR	47kΩ 1/16W J		L915	NQL56CK-220X	COIL	22uH K	
R697	NRSA63J-223X	MG RESISTOR	22kΩ 1/16W J		L916	NQL56CK-220X	COIL	22uH K	

△ Symbol No.	Part No.	Part Name	Description	Local	△ Symbol No.	Part No.	Part Name	Description	Local
L917	NRSA63J-0R0X	MG RESISTOR	0Ω	1/16W J	D407	SML-310LT/MN/-X	LED		
L918	NQL56CK-220X	COIL	22uH	K	D408	SML-310LT/MN/-X	LED		
L919	QQR1183-001Z	FERRITE BEADS			D409	SML-310LT/MN/-X	LED		
L950	QQR0703-001	CHOKO COIL			D410	SML-310LT/MN/-X	LED		
BZ951	QAN0023-001Z	BUZZER			D411	SML-310LT/MN/-X	LED		
CN311	QGA2501C3-03Z	CONNECTOR	W-B	(1-3)	D412	SML-310LT/MN/-X	LED		
CN511	QGA2501C1-02	CONNECTOR	W-B	(1-2)	D413	SML-310LT/MN/-X	LED		
CN521	QGA2501C1-02	CONNECTOR	W-B	(1-2)	D414	SML-310LT/MN/-X	LED		
CN530	QNZ0095-001	CONNECTOR			D415	SML-310LT/MN/-X	LED		
CN531	QGA2001C1-02	CONNECTOR	W-B	(1-2)	D416	SML-310LT/MN/-X	LED		
CN781	QGB2027M5-20S	CONNECTOR	B-B	(1-20)	D417	SML-310LT/MN/-X	LED		
CN782	QGB2027M5-26S	CONNECTOR	B-B	(1-26)	D418	SML-310LT/MN/-X	LED		
CN785	QNZ0605-001	CAR CONNECTOR			D419	SML-310LT/MN/-X	LED		
CN950	QNZ0607-001	CAR CONNECTOR			D423	UDZS6.2B-X	Z DIODE		
J361	QNN0490-001	SURROUND JACK			D424	UDZS6.2B-X	Z DIODE		
K511	NQR0007-002X	FERRITE BEADS			D425	UDZS6.2B-X	Z DIODE		
K521	NQR0201-004X	FERRITE BEADS			D426	UDZS6.2B-X	Z DIODE		
K541	NQR0007-002X	FERRITE BEADS			D427	UDZS6.2B-X	Z DIODE		
K542	NQR0007-002X	FERRITE BEADS			D428	UDZS6.2B-X	Z DIODE		
PP1	QZW0010-001	STYLE PIN			D429	UDZS6.2B-X	Z DIODE		
PP2	QZW0010-001	STYLE PIN			D430	UDZS6.2B-X	Z DIODE		
PP3	QZW0010-001	STYLE PIN			D431	UDZS6.2B-X	Z DIODE		
PP4	QZW0010-001	STYLE PIN			D451	NSCM315C-W	LED		
S601	QSW1026-001Z	TACT SW			D452	NSCM315C-W	LED		
SW785	QSW0451-001	DETECT SW			D453	NSCM315C-W	LED		
SW786	QSW0451-001	DETECT SW			D485	MA152WK-X	SI DIODE		
TH601	NAD0022-103X	N THERMISTOR	10kΩ	10mW F	D803	1SS355-X	SI DIODE		
△ TU21	QAU0292-001	TUNER PAC			D804	UDZS6.2B-X	Z DIODE		
W21	QAM0105-003	CAR CABLE			D805	UDZS6.2B-X	Z DIODE		
X1	QAX0616-001Z	CRYSTAL	10.250MHz		D806	UDZS6.2B-X	Z DIODE		
X31	QAX0263-001Z	CRYSTAL	4.332MHz		D807	UDZS6.2B-X	Z DIODE		
X601	QAX0617-001Z	CRYSTAL	12.500MHz		D808	UDZS6.2B-X	Z DIODE		
X602	QAX0401-001	CRYSTAL	32.768KHz		D809	UDZS6.2B-X	Z DIODE		
					D810	UDZS6.2B-X	Z DIODE		
					D811	UDZS6.2B-X	Z DIODE		
					D812	UDZS6.2B-X	Z DIODE		
					D813	UDZS6.2B-X	Z DIODE		

Front board

Block No. [0][2][0][0]

△ Symbol No.	Part No.	Part Name	Description	Local	△ Symbol No.	Part No.	Part Name	Description	Local
IC491	RPM6938-SV4	IC			C451	NCB31EK-473X	C CAPACITOR	0.047uF 25V K	
△ IC801	MN102H60KCM	IC			C452	NCB31EK-473X	C CAPACITOR	0.047uF 25V K	
IC802	MX23L8103-90-M2	IC			C453	NCB31EK-473X	C CAPACITOR	0.047uF 25V K	
IC803	IC-PST3424U-X	IC			C454	NCB31EK-473X	C CAPACITOR	0.047uF 25V K	
IC895	NJU7241F33-X	IC			C455	NCB31EK-473X	C CAPACITOR	0.047uF 25V K	
Q408	2SD601A/QR/-X	TRANSISTOR			C456	NCB31EK-473X	C CAPACITOR	0.047uF 25V K	
Q409	2SD601A/QR/-X	TRANSISTOR			C457	NCB31EK-473X	C CAPACITOR	0.047uF 25V K	
Q410	2SD601A/QR/-X	TRANSISTOR			C458	NCB31EK-473X	C CAPACITOR	0.047uF 25V K	
Q411	2SD601A/QR/-X	TRANSISTOR			C459	NCB31CK-473X	C CAPACITOR	0.047uF 16V K	
Q412	2SD601A/QR/-X	TRANSISTOR			C491	NBE21AM-475X	TA E CAPACITOR	4.7uF 10V M	
Q413	2SD601A/QR/-X	TRANSISTOR			C801	NBE20JM-106X	TA E CAPACITOR	10uF 6.3V M	
Q414	2SD601A/QR/-X	TRANSISTOR			C802	NCB31EK-473X	C CAPACITOR	0.047uF 25V K	
Q415	2SD601A/QR/-X	TRANSISTOR			C803	NDC31HJ-300X	C CAPACITOR	30pF 50V J	
Q416	2SD601A/QR/-X	TRANSISTOR			C804	NDC31HJ-300X	C CAPACITOR	30pF 50V J	
Q417	2SD601A/QR/-X	TRANSISTOR			C805	NCS31HJ-471X	C CAPACITOR	470pF 50V J	
Q418	2SD601A/QR/-X	TRANSISTOR			C806	NCB31EK-473X	C CAPACITOR	0.047uF 25V K	
Q419	2SD601A/QR/-X	TRANSISTOR			C807	NBE20JM-475X	TA E CAPACITOR	4.7uF 6.3V M	
Q420	2SD601A/QR/-X	TRANSISTOR			C808	NBE20JM-475X	TA E CAPACITOR	4.7uF 6.3V M	
Q421	2SD601A/QR/-X	TRANSISTOR			C809	NBE20JM-475X	TA E CAPACITOR	4.7uF 6.3V M	
Q422	2SD601A/QR/-X	TRANSISTOR			C810	NCB31EK-473X	C CAPACITOR	0.047uF 25V K	
Q423	2SD601A/QR/-X	TRANSISTOR			C811	NCB31EK-473X	C CAPACITOR	0.047uF 25V K	
Q424	2SD601A/QR/-X	TRANSISTOR			C812	NBE20JM-475X	TA E CAPACITOR	4.7uF 6.3V M	
Q425	2SD601A/QR/-X	TRANSISTOR			C813	NBE20JM-106X	TA E CAPACITOR	10uF 6.3V M	
Q485	2SB709A/QR/-X	TRANSISTOR			C814	NCB31EK-473X	C CAPACITOR	0.047uF 25V K	
Q486	2SB709A/QR/-X	TRANSISTOR			C815	NCS31HJ-471X	C CAPACITOR	470pF 50V J	
Q488	2SB709A/QR/-X	TRANSISTOR			C816	NCB31EK-473X	C CAPACITOR	0.047uF 25V K	
Q891	2SD601A/QR/-X	TRANSISTOR			C817	NCB31EK-473X	C CAPACITOR	0.047uF 25V K	
D401	MA152WK-X	SI DIODE			C818	NCB31EK-473X	C CAPACITOR	0.047uF 25V K	
D402	SML-310LT/MN/-X	LED			C819	NCB31EK-473X	C CAPACITOR	0.047uF 25V K	
D403	SML310BAT/JKL-X	LED			C820	NCB31EK-473X	C CAPACITOR	0.047uF 25V K	
D404	SML310BAT/JKL-X	LED			C821	NCB31EK-473X	C CAPACITOR	0.047uF 25V K	
D405	SML-310LT/MN/-X	LED			C822	NCB31EK-473X	C CAPACITOR	0.047uF 25V K	
D406	SML-310LT/MN/-X	LED			C823	NCB31EK-473X	C CAPACITOR	0.047uF 25V K	
					C824	NCB31EK-473X	C CAPACITOR	0.047uF 25V K	
					C895	NBE20JM-106X	TA E CAPACITOR	10uF 6.3V M	
					C896	NCF31CZ-473X	C CAPACITOR	0.047uF 16V Z	
					C897	NBE20JM-106X	TA E CAPACITOR	10uF 6.3V M	
					C898	NBE21AM-106X	TA E CAPACITOR	10uF 10V M	
					R401	NRSA63J-102X	MG RESISTOR	1kΩ 1/16W J	

△ Symbol No.	Part No.	Part Name	Description	Local	△ Symbol No.	Part No.	Part Name	Description	Local
R402	NRSA63J-102X	MG RESISTOR	1kΩ 1/16W J		R812	NRSA63J-102X	MG RESISTOR	1kΩ 1/16W J	
R403	NRSA63J-122X	MG RESISTOR	1.2kΩ 1/16W J		R813	NRSA63J-102X	MG RESISTOR	1kΩ 1/16W J	
R404	NRSA63J-122X	MG RESISTOR	1.2kΩ 1/16W J		R814	NRSA63J-102X	MG RESISTOR	1kΩ 1/16W J	
R405	NRSA63J-911X	MG RESISTOR	910Ω 1/16W J		R815	NRSA63J-102X	MG RESISTOR	1kΩ 1/16W J	
R406	NRSA63J-911X	MG RESISTOR	910Ω 1/16W J		R816	NRSA63J-102X	MG RESISTOR	1kΩ 1/16W J	
R407	NRSA63J-821X	MG RESISTOR	820Ω 1/16W J		R817	NRSA63J-102X	MG RESISTOR	1kΩ 1/16W J	
R408	NRSA63J-821X	MG RESISTOR	820Ω 1/16W J		R818	NRSA63J-102X	MG RESISTOR	1kΩ 1/16W J	
R409	NRSA63J-821X	MG RESISTOR	820Ω 1/16W J		R819	NRSA63J-102X	MG RESISTOR	1kΩ 1/16W J	
R410	NRSA63J-821X	MG RESISTOR	820Ω 1/16W J		R820	NRSA63J-225X	MG RESISTOR	2.2MΩ 1/16W J	
R411	NRSA63J-821X	MG RESISTOR	820Ω 1/16W J		R821	NRSA63J-822X	MG RESISTOR	8.2kΩ 1/16W J	
R412	NRSA63J-821X	MG RESISTOR	820Ω 1/16W J		R822	NRSA63J-102X	MG RESISTOR	1kΩ 1/16W J	
R413	NRSA63J-471X	MG RESISTOR	470Ω 1/16W J		R823	NRSA63J-102X	MG RESISTOR	1kΩ 1/16W J	
R414	NRSA63J-471X	MG RESISTOR	470Ω 1/16W J		R824	NRSA63J-104X	MG RESISTOR	100kΩ 1/16W J	
R415	NRSA63J-471X	MG RESISTOR	470Ω 1/16W J		R825	NRSA63J-104X	MG RESISTOR	100kΩ 1/16W J	
R416	NRSA63J-471X	MG RESISTOR	470Ω 1/16W J		R826	NRSA63J-104X	MG RESISTOR	100kΩ 1/16W J	
R417	NRSA63J-471X	MG RESISTOR	470Ω 1/16W J		R827	NRSA63J-102X	MG RESISTOR	1kΩ 1/16W J	
R418	NRSA63J-471X	MG RESISTOR	470Ω 1/16W J		R828	NRSA63J-102X	MG RESISTOR	1kΩ 1/16W J	
R419	NRSA63J-911X	MG RESISTOR	910Ω 1/16W J		R829	NRSA63J-473X	MG RESISTOR	47kΩ 1/16W J	
R420	NRSA63J-911X	MG RESISTOR	910Ω 1/16W J		R830	NRSA63J-473X	MG RESISTOR	47kΩ 1/16W J	
R421	NRSA63J-391X	MG RESISTOR	390Ω 1/16W J		R831	NRSA63J-103X	MG RESISTOR	10kΩ 1/16W J	
R422	NRSA63J-391X	MG RESISTOR	390Ω 1/16W J		R832	NRSA63J-103X	MG RESISTOR	10kΩ 1/16W J	
R423	NRSA63J-391X	MG RESISTOR	390Ω 1/16W J		R833	NRSA63J-103X	MG RESISTOR	10kΩ 1/16W J	
R424	NRSA63J-561X	MG RESISTOR	560Ω 1/16W J		R834	NRSA63J-103X	MG RESISTOR	10kΩ 1/16W J	
R425	NRSA63J-561X	MG RESISTOR	560Ω 1/16W J		R835	NRSA63J-102X	MG RESISTOR	1kΩ 1/16W J	
R426	NRSA63J-561X	MG RESISTOR	560Ω 1/16W J		R836	NRSA63J-102X	MG RESISTOR	1kΩ 1/16W J	
R427	NRSA63J-391X	MG RESISTOR	390Ω 1/16W J		R837	NRSA63J-102X	MG RESISTOR	1kΩ 1/16W J	
R428	NRSA63J-391X	MG RESISTOR	390Ω 1/16W J		R838	NRSA63J-102X	MG RESISTOR	1kΩ 1/16W J	
R429	NRSA63J-391X	MG RESISTOR	390Ω 1/16W J		R839	NRSA63J-102X	MG RESISTOR	1kΩ 1/16W J	
R430	NRSA63J-391X	MG RESISTOR	390Ω 1/16W J		R840	NRSA63J-0R0X	MG RESISTOR	0Ω 1/16W J	
R431	NRSA63J-391X	MG RESISTOR	390Ω 1/16W J		R841	NRSA63J-152X	MG RESISTOR	1.5kΩ 1/16W J	
R432	NRSA63J-391X	MG RESISTOR	390Ω 1/16W J		R842	NRSA63J-152X	MG RESISTOR	1.5kΩ 1/16W J	
R433	NRSA63J-561X	MG RESISTOR	560Ω 1/16W J		R843	NRSA63J-152X	MG RESISTOR	1.5kΩ 1/16W J	
R434	NRSA63J-561X	MG RESISTOR	560Ω 1/16W J		R844	NRSA63J-473X	MG RESISTOR	47kΩ 1/16W J	
R435	NRSA63J-561X	MG RESISTOR	560Ω 1/16W J		R845	NRSA63J-473X	MG RESISTOR	47kΩ 1/16W J	
R436	NRSA63J-391X	MG RESISTOR	390Ω 1/16W J		R846	NRSA63J-331X	MG RESISTOR	330Ω 1/16W J	
R437	NRSA63J-391X	MG RESISTOR	390Ω 1/16W J		R847	NRSA63J-473X	MG RESISTOR	47kΩ 1/16W J	
R438	NRSA63J-391X	MG RESISTOR	390Ω 1/16W J		R849	NRSA63J-102X	MG RESISTOR	1kΩ 1/16W J	
R439	NRSA63J-391X	MG RESISTOR	390Ω 1/16W J		R850	NRSA63J-102X	MG RESISTOR	1kΩ 1/16W J	
R440	NRSA63J-391X	MG RESISTOR	390Ω 1/16W J		R851	NRSA63J-102X	MG RESISTOR	1kΩ 1/16W J	
R441	NRSA63J-391X	MG RESISTOR	390Ω 1/16W J		R852	NRSA63J-102X	MG RESISTOR	1kΩ 1/16W J	
R442	NRSA63J-561X	MG RESISTOR	560Ω 1/16W J		R853	NRSA63J-102X	MG RESISTOR	1kΩ 1/16W J	
R443	NRSA63J-561X	MG RESISTOR	560Ω 1/16W J		R854	NRSA63J-102X	MG RESISTOR	1kΩ 1/16W J	
R444	NRSA63J-561X	MG RESISTOR	560Ω 1/16W J		R855	NRSA63J-102X	MG RESISTOR	1kΩ 1/16W J	
R445	NRSA63J-391X	MG RESISTOR	390Ω 1/16W J		R856	NRSA63J-102X	MG RESISTOR	1kΩ 1/16W J	
R446	NRSA63J-391X	MG RESISTOR	390Ω 1/16W J		R857	NRSA63J-102X	MG RESISTOR	1kΩ 1/16W J	
R447	NRSA63J-391X	MG RESISTOR	390Ω 1/16W J		R858	NRSA63J-102X	MG RESISTOR	1kΩ 1/16W J	
R471	NRSA63J-301X	MG RESISTOR	300Ω 1/16W J		R859	NRSA63J-102X	MG RESISTOR	1kΩ 1/16W J	
R472	NRSA63J-271X	MG RESISTOR	270Ω 1/16W J		R860	NRSA63J-102X	MG RESISTOR	1kΩ 1/16W J	
R473	NRSA63J-391X	MG RESISTOR	390Ω 1/16W J		R861	NRSA63J-102X	MG RESISTOR	1kΩ 1/16W J	
R474	NRSA63J-561X	MG RESISTOR	560Ω 1/16W J		R862	NRSA63J-102X	MG RESISTOR	1kΩ 1/16W J	
R476	NRSA63J-301X	MG RESISTOR	300Ω 1/16W J		R863	NRSA63J-102X	MG RESISTOR	1kΩ 1/16W J	
R477	NRSA63J-271X	MG RESISTOR	270Ω 1/16W J		R864	NRSA63J-102X	MG RESISTOR	1kΩ 1/16W J	
R478	NRSA63J-391X	MG RESISTOR	390Ω 1/16W J		R865	NRSA63J-102X	MG RESISTOR	1kΩ 1/16W J	
R479	NRSA63J-561X	MG RESISTOR	560Ω 1/16W J		R866	NRSA63J-102X	MG RESISTOR	1kΩ 1/16W J	
R480	NRSA63J-821X	MG RESISTOR	820Ω 1/16W J		R867	NRSA63J-102X	MG RESISTOR	1kΩ 1/16W J	
R481	NRSA63J-301X	MG RESISTOR	300Ω 1/16W J		R868	NRSA63J-102X	MG RESISTOR	1kΩ 1/16W J	
R482	NRSA63J-271X	MG RESISTOR	270Ω 1/16W J		R871	NRSA63J-102X	MG RESISTOR	1kΩ 1/16W J	
R483	NRSA63J-391X	MG RESISTOR	390Ω 1/16W J		R872	NRSA63J-102X	MG RESISTOR	1kΩ 1/16W J	
R484	NRSA63J-561X	MG RESISTOR	560Ω 1/16W J		R873	NRSA63J-102X	MG RESISTOR	1kΩ 1/16W J	
R485	NRSA63J-473X	MG RESISTOR	47kΩ 1/16W J		R874	NRSA63J-102X	MG RESISTOR	1kΩ 1/16W J	
R486	NRSA63J-473X	MG RESISTOR	47kΩ 1/16W J		R875	NRSA63J-102X	MG RESISTOR	1kΩ 1/16W J	
R487	NRSA63J-474X	MG RESISTOR	470kΩ 1/16W J		R876	NRSA63J-102X	MG RESISTOR	1kΩ 1/16W J	
R488	NRSA63J-473X	MG RESISTOR	47kΩ 1/16W J		R877	NRSA63J-102X	MG RESISTOR	1kΩ 1/16W J	
R492	NRSA63J-103X	MG RESISTOR	10kΩ 1/16W J		R878	NRSA63J-102X	MG RESISTOR	1kΩ 1/16W J	
R493	NRSA63J-470X	MG RESISTOR	47Ω 1/16W J		R891	NRSA63J-104X	MG RESISTOR	100kΩ 1/16W J	
R499	NRSA63J-102X	MG RESISTOR	1kΩ 1/16W J		R892	NRSA63J-474X	MG RESISTOR	470kΩ 1/16W J	
R800	NRSA63J-102X	MG RESISTOR	1kΩ 1/16W J		R893	NRSA63J-474X	MG RESISTOR	470kΩ 1/16W J	
R801	NRSA63J-102X	MG RESISTOR	1kΩ 1/16W J		R899	NRSA63J-680X	MG RESISTOR	68Ω 1/16W J	
R802	NRSA63J-331X	MG RESISTOR	330Ω 1/16W J						
R803	NRSA63J-102X	MG RESISTOR	1kΩ 1/16W J		L895	NQL114K-470X	COIL	47uH K	
R804	NRSA63J-102X	MG RESISTOR	1kΩ 1/16W J						
R805	NRSA63J-222X	MG RESISTOR	2.2kΩ 1/16W J		CN801	NNZ0085-001	CAR CONNECTOR		
R806	NRSA63J-473X	MG RESISTOR	47kΩ 1/16W J		CN802	QGFO523F1-40W	CONNECTOR	FFC/FPC (1-40)	
R807	NRSA63J-473X	MG RESISTOR	47kΩ 1/16W J		EN401	QSW1025-001	ROTARY ENCODER		
R808	NRSA63J-102X	MG RESISTOR	1kΩ 1/16W J		S471	NSW0066-001X	TACT SW		
R809	NRSA63J-102X	MG RESISTOR	1kΩ 1/16W J		S472	NSW0066-001X	TACT SW		
R810	NRSA63J-102X	MG RESISTOR	1kΩ 1/16W J		S473	NSW0066-001X	TACT SW		
R811	NRSA63J-102X	MG RESISTOR	1kΩ 1/16W J		S474	NSW0066-001X	TACT SW		

Symbol No.	Part No.	Part Name	Description	Local
S475	NSW0066-001X	TACT SW		
S476	NSW0066-001X	TACT SW		
S477	NSW0066-001X	TACT SW		
S478	NSW0066-001X	TACT SW		
S479	NSW0066-001X	TACT SW		
S480	NSW0066-001X	TACT SW		
S481	NSW0066-001X	TACT SW		
S482	NSW0066-001X	TACT SW		
S483	NSW0066-001X	TACT SW		
S484	NSW0066-001X	TACT SW		
S485	NSW0066-001X	TACT SW		
TH821	NAD0022-103X	N THERMISTOR	10kΩ 10mW F	
X801	NAX0586-001X	C RESONATOR	25.000MHz	

Symbol No.	Part No.	Part Name	Description	Local
C552	NBE40GM-476X	TA E CAPACITOR	47uF 4V M	
C554	NCB31CK-104X	C CAPACITOR	0.1uF 16V K	
C555	NCB31CK-104X	C CAPACITOR	0.1uF 16V K	
C557	NCB31CK-104X	C CAPACITOR	0.1uF 16V K	
C558	NCB11CK-105X	C CAPACITOR	1uF 16V K	
C569	NCB31CK-104X	C CAPACITOR	0.1uF 16V K	
C571	NBE40JM-476X	TA E CAPACITOR	47uF 6.3V M	
C572	NCB31CK-104X	C CAPACITOR	0.1uF 16V K	
C578	NCB31CK-104X	C CAPACITOR	0.1uF 16V K	
C580	NBE40GM-476X	TA E CAPACITOR	47uF 4V M	
C581	NBE40JM-476X	TA E CAPACITOR	47uF 6.3V M	
C582	NBE40GM-476X	TA E CAPACITOR	47uF 4V M	
C600	NCB31HK-102X	C CAPACITOR	1000pF 50V K	
C601	NBE41AM-476X	TA E CAPACITOR	47uF 10V M	
C602	NCB31CK-104X	C CAPACITOR	0.1uF 16V K	
C604	NCB31HK-331X	C CAPACITOR	330pF 50V K	
C607	NBE40GM-476X	TA E CAPACITOR	47uF 4V M	
C608	NBE40JM-476X	TA E CAPACITOR	47uF 6.3V M	
C609	NCB31CK-104X	C CAPACITOR	0.1uF 16V K	
C610	NCB31EK-103X	C CAPACITOR	0.01uF 25V K	
C611	NBE41AM-226X	TA E CAPACITOR	22uF 10V M	
C612	NCB31CK-104X	C CAPACITOR	0.1uF 16V K	
C618	NCB31CK-104X	C CAPACITOR	0.1uF 16V K	
C619	NCB31CK-104X	C CAPACITOR	0.1uF 16V K	
C620	NCB31CK-104X	C CAPACITOR	0.1uF 16V K	
C621	NBE40JM-476X	TA E CAPACITOR	47uF 6.3V M	
C622	NCB31CK-104X	C CAPACITOR	0.1uF 16V K	
C631	NCB31HK-332X	C CAPACITOR	3300pF 50V K	
C632	NCS31HJ-471X	C CAPACITOR	470pF 50V J	
C633	NCS31HJ-471X	C CAPACITOR	470pF 50V J	
C721	NBE40JM-476X	TA E CAPACITOR	47uF 6.3V M	
C722	NCB31CK-104X	C CAPACITOR	0.1uF 16V K	
C731	NCB31HK-332X	C CAPACITOR	3300pF 50V K	
C732	NCS31HJ-471X	C CAPACITOR	470pF 50V J	
C733	NCS31HJ-471X	C CAPACITOR	470pF 50V J	
C801	NDC31HJ-221X	C CAPACITOR	220pF 50V J	
C802	NDC31HJ-471X	C CAPACITOR	470pF 50V J	
C803	NDC31HJ-221X	C CAPACITOR	220pF 50V J	
C817	NCB31HK-102X	C CAPACITOR	1000pF 50V K	
C818	NCB31HK-102X	C CAPACITOR	1000pF 50V K	
C901	NCB31HK-102X	C CAPACITOR	1000pF 50V K	
C902	NCB31CK-104X	C CAPACITOR	0.1uF 16V K	
C904	NCB31CK-104X	C CAPACITOR	0.1uF 16V K	
C905	NCB31HK-222X	C CAPACITOR	2200pF 50V K	
C906	NCB31CK-104X	C CAPACITOR	0.1uF 16V K	
C908	NCB31CK-104X	C CAPACITOR	0.1uF 16V K	
C992	NCB31CK-104X	C CAPACITOR	0.1uF 16V K	
C993	NCB31CK-104X	C CAPACITOR	0.1uF 16V K	
C994	NCB31CK-104X	C CAPACITOR	0.1uF 16V K	
C995	NCB31CK-104X	C CAPACITOR	0.1uF 16V K	
C996	NCB31CK-104X	C CAPACITOR	0.1uF 16V K	
C997	NCB31CK-104X	C CAPACITOR	0.1uF 16V K	
C998	NCB31CK-104X	C CAPACITOR	0.1uF 16V K	

Back end board

Block No. [0][3][0][0]

Symbol No.	Part No.	Part Name	Description	Local
△ IC501	NDV8601VWA-BE	IC		
IC505	K4S643232F-TC60	IC		
IC509	SST39VF160-9CEK	IC (FLASH)		
IC510	S-93C66AFJ-X	IC		
IC511	LM1117MP1.8-X	IC		
IC512	74LCX373MTC-X	IC(DIGITAL)		
IC513	74LCX373MTC-X	IC(DIGITAL)		
IC521	MM74HCT32MTC-X	IC		
IC522	74LCX32MTC-X	IC(DIGITAL)		
IC523	NC7SZ125P5-X	IC(DIGITAL)		
IC601	AK4381VT-X	IC		
IC611	NJM4565V-X	IC		
Q501	2SB1424/QR/-W	TRANSISTOR		
Q502	2SC2412K/RS/-X	TRANSISTOR		
D901	SML-310LT/MN/-X	LED		
C501	NCB31CK-104X	C CAPACITOR	0.1uF 16V K	
C505	NCB31HK-102X	C CAPACITOR	1000pF 50V K	
C506	NDC31HJ-150X	C CAPACITOR	15pF 50V J	
C507	NDC31HJ-180X	C CAPACITOR	18pF 50V J	
C508	NCB31HK-222X	C CAPACITOR	2200pF 50V K	
C511	NBE40JM-476X	TA E CAPACITOR	47uF 6.3V M	
C512	NCB31CK-104X	C CAPACITOR	0.1uF 16V K	
C514	NCB31CK-104X	C CAPACITOR	0.1uF 16V K	
C515	NCB31CK-104X	C CAPACITOR	0.1uF 16V K	
C516	NCB31CK-104X	C CAPACITOR	0.1uF 16V K	
C517	NCB31CK-104X	C CAPACITOR	0.1uF 16V K	
C518	NCB31CK-104X	C CAPACITOR	0.1uF 16V K	
C519	NCB31CK-104X	C CAPACITOR	0.1uF 16V K	
C520	NCB31CK-104X	C CAPACITOR	0.1uF 16V K	
C523	NCB31CK-104X	C CAPACITOR	0.1uF 16V K	
C524	NBE40GM-476X	TA E CAPACITOR	47uF 4V M	
C527	NBE40JM-476X	TA E CAPACITOR	47uF 6.3V M	
C528	NCB31CK-104X	C CAPACITOR	0.1uF 16V K	
C529	NCB31HK-103X	C CAPACITOR	0.01uF 50V K	
C531	NCB31CK-104X	C CAPACITOR	0.1uF 16V K	
C532	NCB31CK-104X	C CAPACITOR	0.1uF 16V K	
C533	NCB31CK-104X	C CAPACITOR	0.1uF 16V K	
C534	NCB31CK-104X	C CAPACITOR	0.1uF 16V K	
C535	NCB31CK-104X	C CAPACITOR	0.1uF 16V K	
C536	NCB31CK-104X	C CAPACITOR	0.1uF 16V K	
C538	NCB31CK-103X	C CAPACITOR	0.01uF 16V K	
C539	NCB31CK-104X	C CAPACITOR	0.1uF 16V K	
C540	NCB31HK-103X	C CAPACITOR	0.01uF 50V K	
C541	NCB31HK-103X	C CAPACITOR	0.01uF 50V K	
C542	NCB31CK-104X	C CAPACITOR	0.1uF 16V K	
C543	NCB31HK-103X	C CAPACITOR	0.01uF 50V K	
C544	NCB31HK-103X	C CAPACITOR	0.01uF 50V K	
C545	NCB31CK-104X	C CAPACITOR	0.1uF 16V K	
C547	NCB31CK-104X	C CAPACITOR	0.1uF 16V K	
C548	NCB31CK-104X	C CAPACITOR	0.1uF 16V K	
C549	NBE40JM-476X	TA E CAPACITOR	47uF 6.3V M	
C550	NCB31CK-104X	C CAPACITOR	0.1uF 16V K	

Symbol No.	Part No.	Part Name	Description	Local
R501	NRSA63J-471X	MG RESISTOR	470Ω 1/16W J	
R504	NRSA63J-0R0X	MG RESISTOR	0Ω 1/16W J	
R511	NRSA63J-0R0X	MG RESISTOR	0Ω 1/16W J	
R521	NRSA63J-103X	MG RESISTOR	10kΩ 1/16W J	
R522	NRSA63J-332X	MG RESISTOR	3.3kΩ 1/16W J	
R531	NRSA63J-562X	MG RESISTOR	5.6kΩ 1/16W J	
R532	NRSA63J-392X	MG RESISTOR	3.9kΩ 1/16W J	
R533	NRSA63J-102X	MG RESISTOR	1kΩ 1/16W J	
R534	NRSA63J-561X	MG RESISTOR	560Ω 1/16W J	
R535	NRSA63J-333X	MG RESISTOR	33kΩ 1/16W J	
R536	NRSA63J-102X	MG RESISTOR	1kΩ 1/16W J	
R541	NRSA63J-0R0X	MG RESISTOR	0Ω 1/16W J	
R543	NRSA63J-0R0X	MG RESISTOR	0Ω 1/16W J	
R544	NRSA63J-471X	MG RESISTOR	470Ω 1/16W J	
R545	NRSA63J-471X	MG RESISTOR	470Ω 1/16W J	
R546	NRSA63J-471X	MG RESISTOR	470Ω 1/16W J	
R547	NRSA63J-0R0X	MG RESISTOR	0Ω 1/16W J	
R548	NRSA63J-471X	MG RESISTOR	470Ω 1/16W J	
R549	NRSA63J-471X	MG RESISTOR	470Ω 1/16W J	
R550	NRSA63J-471X	MG RESISTOR	470Ω 1/16W J	
R551	NRSA63J-0R0X	MG RESISTOR	0Ω 1/16W J	
R552	NRSA63J-0R0X	MG RESISTOR	0Ω 1/16W J	
R553	NRSA63J-0R0X	MG RESISTOR	0Ω 1/16W J	
R555	NRVA63D-622X	CMF RESISTOR	6.2kΩ 1/16W D	

△ Symbol No.	Part No.	Part Name	Description	Local	△ Symbol No.	Part No.	Part Name	Description	Local
R566	NRVA63D-132X	CMF RESISTOR	1.3kΩ 1/16W D		K938	NQR0007-002X	FERRITE BEADS		
R568	NRVA63D-750X	CMF RESISTOR	75Ω 1/16W D		K939	NQR0007-002X	FERRITE BEADS		
R569	NRVA63D-750X	CMF RESISTOR	75Ω 1/16W D		K940	NQR0007-002X	FERRITE BEADS		
R570	NRSA63J-100X	MG RESISTOR	10Ω 1/16W J		K941	NQR0007-002X	FERRITE BEADS		
R573	NRSA63J-162X	MG RESISTOR	1.6kΩ 1/16W J		K942	NQR0007-002X	FERRITE BEADS		
R574	NRSA63J-162X	MG RESISTOR	1.6kΩ 1/16W J		K943	NQR0007-002X	FERRITE BEADS		
R575	NRSA63J-471X	MG RESISTOR	470Ω 1/16W J		K944	NQR0007-002X	FERRITE BEADS		
R576	NRSA63J-471X	MG RESISTOR	470Ω 1/16W J		K945	NQR0007-002X	FERRITE BEADS		
R577	NRSA63J-0R0X	MG RESISTOR	0Ω 1/16W J		K946	NQR0007-002X	FERRITE BEADS		
R578	NRSA63J-471X	MG RESISTOR	470Ω 1/16W J		X571	NAX0513-001X	CRYSTAL	27.000MHz	
R583	NRSA63J-471X	MG RESISTOR	470Ω 1/16W J						
R584	NRSA63J-332X	MG RESISTOR	3.3kΩ 1/16W J						
R608	NRSA63J-103X	MG RESISTOR	10kΩ 1/16W J						
R611	NRSA63J-100X	MG RESISTOR	10Ω 1/16W J						
R621	NRSA63J-102X	MG RESISTOR	1kΩ 1/16W J						
R622	NRSA63J-102X	MG RESISTOR	1kΩ 1/16W J						
R630	NRSA63J-473X	MG RESISTOR	47kΩ 1/16W J						
R631	NRSA63J-472X	MG RESISTOR	4.7kΩ 1/16W J						
R632	NRSA63J-472X	MG RESISTOR	4.7kΩ 1/16W J						
R633	NRSA63J-201X	MG RESISTOR	200Ω 1/16W J						
R634	NRSA63J-472X	MG RESISTOR	4.7kΩ 1/16W J						
R635	NRSA63J-201X	MG RESISTOR	200Ω 1/16W J						
R636	NRSA63J-472X	MG RESISTOR	4.7kΩ 1/16W J						
R637	NRSA63J-473X	MG RESISTOR	47kΩ 1/16W J						
R691	NRSA63J-100X	MG RESISTOR	10Ω 1/16W J						
R692	NRSA63J-103X	MG RESISTOR	10kΩ 1/16W J						
R721	NRSA63J-102X	MG RESISTOR	1kΩ 1/16W J						
R722	NRSA63J-102X	MG RESISTOR	1kΩ 1/16W J						
R730	NRSA63J-473X	MG RESISTOR	47kΩ 1/16W J						
R731	NRSA63J-472X	MG RESISTOR	4.7kΩ 1/16W J						
R732	NRSA63J-472X	MG RESISTOR	4.7kΩ 1/16W J						
R733	NRSA63J-201X	MG RESISTOR	200Ω 1/16W J						
R734	NRSA63J-472X	MG RESISTOR	4.7kΩ 1/16W J						
R735	NRSA63J-201X	MG RESISTOR	200Ω 1/16W J						
R736	NRSA63J-472X	MG RESISTOR	4.7kΩ 1/16W J						
R737	NRSA63J-473X	MG RESISTOR	47kΩ 1/16W J						
R738	NRSA63J-152X	MG RESISTOR	1.5kΩ 1/16W J						
R739	NRSA63J-101X	MG RESISTOR	100Ω 1/16W J						
R740	NRSA63J-101X	MG RESISTOR	100Ω 1/16W J						
R802	NRVA63D-750X	CMF RESISTOR	75Ω 1/16W D						
R901	NRS181J-331X	MG RESISTOR	330Ω 1/8W J						
R991	NRSA63J-220X	MG RESISTOR	22Ω 1/16W J						
R995	NRSA63J-223X	MG RESISTOR	22kΩ 1/16W J						
R997	NRSA63J-103X	MG RESISTOR	10kΩ 1/16W J						
R999	NRSA63J-103X	MG RESISTOR	10kΩ 1/16W J						
L501	NQL044K-100X	COIL	10uH K						
L801	NQL085J-2R2X	COIL	2.2uH J						
L802	NQL085J-2R2X	COIL	2.2uH J						
CN502	QGB2027L5-20X	CONNECTOR	B-B (1-20)						
CN503	QGB2027L1-26X	CONNECTOR	B-B (1-26)						
CN506	QGF0531F1-50W	CONNECTOR	FFC/FPC (1-50)						
K501	NQR0007-002X	FERRITE BEADS							
K503	NQR0007-002X	FERRITE BEADS							
K504	NQR0007-002X	FERRITE BEADS							
K505	NQR0007-002X	FERRITE BEADS							
K507	NQR0007-002X	FERRITE BEADS							
K508	NQR0007-002X	FERRITE BEADS							
K509	NQR0007-002X	FERRITE BEADS							
K510	NQR0007-002X	FERRITE BEADS							
K513	NQR0007-002X	FERRITE BEADS							
K519	NQR0007-002X	FERRITE BEADS							
K520	NQR0007-002X	FERRITE BEADS							
K583	NQR0007-002X	FERRITE BEADS							
K901	NQR0007-002X	FERRITE BEADS							
K905	NQR0201-004X	FERRITE BEADS							
K908	NQR0007-002X	FERRITE BEADS							
K912	NQR0007-002X	FERRITE BEADS							
K913	NQR0007-002X	FERRITE BEADS							
K914	NQR0007-002X	FERRITE BEADS							
K915	NQR0007-002X	FERRITE BEADS							
K916	NQR0007-002X	FERRITE BEADS							
K917	NQR0007-002X	FERRITE BEADS							
K918	NQR0007-002X	FERRITE BEADS							
K919	NQR0007-002X	FERRITE BEADS							
K920	NQR0007-002X	FERRITE BEADS							
K937	NQR0007-002X	FERRITE BEADS							

Front end board

Block No. [0][4][0][0]

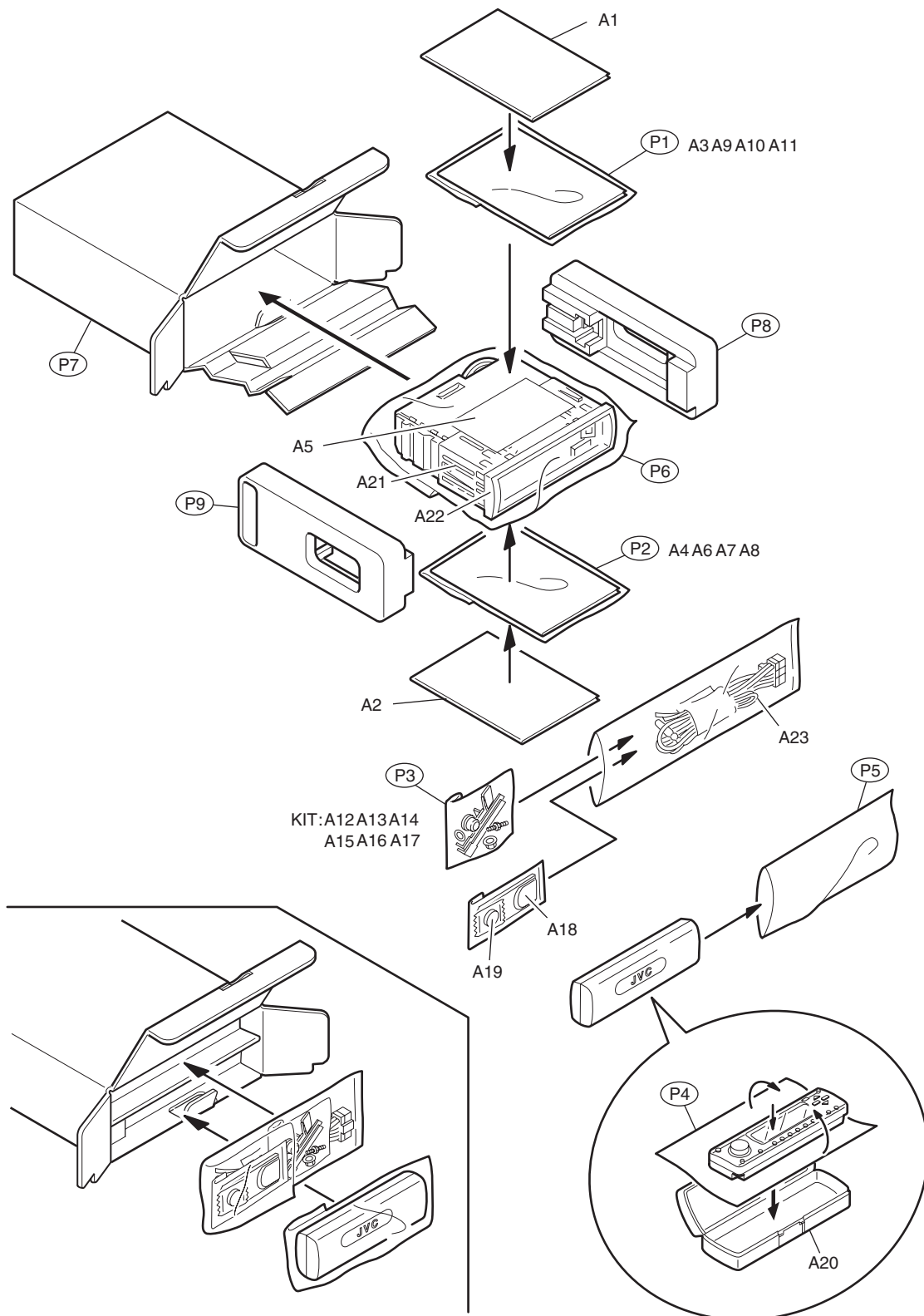
△ Symbol No.	Part No.	Part Name	Description	Local
IC101	AN8703FH-V	IC		
IC201	BA5983FM-X	IC		
IC251	BA6664FM-X	IC		
IC271	MM74HC4053SJ-X	IC		
△ IC301	MN103S26EGB-H	IC		
△ IC401	MN102H60GCF	IC		
IC451	S-93C66AFJ-X	IC		
Q101	KTA1001/Y/-X	TRANSISTOR		
Q102	KTA1001/Y/-X	TRANSISTOR		
Q103	DTA144EE-X	DIGI TRANSISTOR		
Q401	DTC144EE-X	DIGI TRANSISTOR		
Q402	DTC144EE-X	DIGI TRANSISTOR		
D101	RB521S-30-X	SB DIODE		
D271	UDZS5.1B-X	Z DIODE		
C105	NBE40JM-476X	TA E CAPACITOR	47uF 6.3V M	
C106	NBE40JM-476X	TA E CAPACITOR	47uF 6.3V M	
C109	NCB21CK-104X	C CAPACITOR	0.1uF 16V K	
C110	NCS31HJ-221X	C CAPACITOR	220pF 50V J	
C111	NCB31CK-104X	C CAPACITOR	0.1uF 16V K	
C112	NCB31CK-104X	C CAPACITOR	0.1uF 16V K	
C113	NBE41AM-226X	TA E CAPACITOR	22uF 10V M	
C115	NCB31CK-104X	C CAPACITOR	0.1uF 16V K	
C116	NCB31CK-104X	C CAPACITOR	0.1uF 16V K	
C117	NCB31CK-473X	C CAPACITOR	0.047uF 16V K	
C118	NCB31CK-273X	C CAPACITOR	0.027uF 16V K	
C119	NCB31HK-561X	C CAPACITOR	560pF 50V K	
C120	NCB31HK-561X	C CAPACITOR	560pF 50V K	
C121	NCB31CK-104X	C CAPACITOR	0.1uF 16V K	
C122	NCS31HJ-120X	C CAPACITOR	12pF 50V J	
C123	NCB31CK-104X	C CAPACITOR	0.1uF 16V K	
C124	NCS31HJ-470X	C CAPACITOR	47pF 50V J	
C125	NCS31HJ-271X	C CAPACITOR	270pF 50V J	
C126	NCB31CK-104X	C CAPACITOR	0.1uF 16V K	
C127	NCB31CK-104X	C CAPACITOR	0.1uF 16V K	
C128	NCB31CK-104X	C CAPACITOR	0.1uF 16V K	
C129	NCB31HK-472X	C CAPACITOR	4700pF 50V K	
C135	NBE41AM-476X	TA E CAPACITOR	47uF 10V M	
C137	NBE40JM-476X	TA E CAPACITOR	47uF 6.3V M	
C138	NCB31CK-104X	C CAPACITOR	0.1uF 16V K	
C139	NCB31CK-104X	C CAPACITOR	0.1uF 16V K	
C141	NCB31CK-104X	C CAPACITOR	0.1uF 16V K	
C142	NCB31CK-104X	C CAPACITOR	0.1uF 16V K	
C143	NCB31CK-104X	C CAPACITOR	0.1uF 16V K	
C144	NCB31CK-103X	C CAPACITOR	0.01uF 16V K	
C146	NCB31CK-104X	C CAPACITOR	0.1uF 16V K	
C150	NCB31HK-102X	C CAPACITOR	1000pF 50V K	
C151	NCB31HK-102X	C CAPACITOR	1000pF 50V K	
C152	NCB31HK-102X	C CAPACITOR	1000pF 50V K	
C153	NCB31HK-102X	C CAPACITOR	1000pF 50V K	
C154	NCB31HK-102X	C CAPACITOR	1000pF 50V K	
C201	NEA71CM-107X	E CAPACITOR	100uF 16V M	
C202	NEA71CM-107X	E CAPACITOR	100uF 16V M	
C203	NCB31CK-104X	C CAPACITOR	0.1uF 16V K	
C204	NCB31CK-104X	C CAPACITOR	0.1uF 16V K	
C205	NCS31HJ-121X	C CAPACITOR	120pF 50V J	

△ Symbol No.	Part No.	Part Name	Description	Local	△ Symbol No.	Part No.	Part Name	Description	Local
C207	NCS31HJ-391X	C CAPACITOR	390pF 50V J		R102	NRSA63J-223X	MG RESISTOR	22kΩ 1/16W J	
C208	NCS31HJ-391X	C CAPACITOR	390pF 50V J		R103	NRSA63J-223X	MG RESISTOR	22kΩ 1/16W J	
C210	NCB31HK-223X	C CAPACITOR	0.022uF 50V K		R104	NRS125J-270X	MG RESISTOR	27Ω 1/2W J	
C215	NCB31CK-104X	C CAPACITOR	0.1uF 16V K		R105	NRS125J-270X	MG RESISTOR	27Ω 1/2W J	
C217	NCB31CK-104X	C CAPACITOR	0.1uF 16V K		R106	NRSA63J-273X	MG RESISTOR	27kΩ 1/16W J	
C251	NCB31CK-104X	C CAPACITOR	0.1uF 16V K		R107	NRSA63J-273X	MG RESISTOR	27kΩ 1/16W J	
C252	NEA71CM-107X	E CAPACITOR	100uF 16V M		R108	NRSA63J-222X	MG RESISTOR	2.2kΩ 1/16W J	
C253	NCB31CK-104X	C CAPACITOR	0.1uF 16V K		R109	NRSA63J-182X	MG RESISTOR	1.8kΩ 1/16W J	
C256	NCB31CK-104X	C CAPACITOR	0.1uF 16V K		R110	NRSA63J-333X	MG RESISTOR	33kΩ 1/16W J	
C257	NCB31CK-104X	C CAPACITOR	0.1uF 16V K		R111	NRVA63D-243X	CMF RESISTOR	24kΩ 1/16W D	
C258	NCB31CK-104X	C CAPACITOR	0.1uF 16V K		R112	NRSA63J-822X	MG RESISTOR	8.2kΩ 1/16W J	
C259	NCB31CK-104X	C CAPACITOR	0.1uF 16V K		R113	NRSA63J-103X	MG RESISTOR	10kΩ 1/16W J	
C260	NCB31CK-104X	C CAPACITOR	0.1uF 16V K		R114	NRSA63J-0R0X	MG RESISTOR	0Ω 1/16W J	
C261	NCB31CK-104X	C CAPACITOR	0.1uF 16V K		R115	NRSA63J-0R0X	MG RESISTOR	0Ω 1/16W J	
C262	NCB31CK-104X	C CAPACITOR	0.1uF 16V K		R116	NRSA63J-0R0X	MG RESISTOR	0Ω 1/16W J	
C263	NCB31CK-104X	C CAPACITOR	0.1uF 16V K		R117	NRSA63J-0R0X	MG RESISTOR	0Ω 1/16W J	
C264	NCB31CK-103X	C CAPACITOR	0.01uF 16V K		R119	NRSA63J-2R2X	MG RESISTOR	2.2Ω 1/16W J	
C271	NCB21CK-105X	C CAPACITOR	1uF 16V K		R120	NRSA63J-2R2X	MG RESISTOR	2.2Ω 1/16W J	
C272	NCB21CK-105X	C CAPACITOR	1uF 16V K		R125	NRSA63J-105X	MG RESISTOR	1MΩ 1/16W J	
C301	NCB31CK-104X	C CAPACITOR	0.1uF 16V K		R126	NRSA63J-105X	MG RESISTOR	1MΩ 1/16W J	
C302	NCB31CK-104X	C CAPACITOR	0.1uF 16V K		R127	NRSA63J-222X	MG RESISTOR	2.2kΩ 1/16W J	
C303	NCB31CK-104X	C CAPACITOR	0.1uF 16V K		R128	NRS125J-1R0X	MG RESISTOR	1Ω 1/2W J	
C304	NBE40JM-476X	TA E CAPACITOR	47uF 6.3V M		R129	NRS125J-1R0X	MG RESISTOR	1Ω 1/2W J	
C305	NBE20JM-106X	TA E CAPACITOR	10uF 6.3V M		R130	NRSA63J-182X	MG RESISTOR	1.8kΩ 1/16W J	
C306	NBE40JM-476X	TA E CAPACITOR	47uF 6.3V M		R131	NRSA63J-473X	MG RESISTOR	47kΩ 1/16W J	
C308	NBE40GM-476X	TA E CAPACITOR	47uF 4V M		R201	NRSA63J-470X	MG RESISTOR	47Ω 1/16W J	
C310	NCB31CK-104X	C CAPACITOR	0.1uF 16V K		R202	NRS125J-1R0X	MG RESISTOR	1Ω 1/2W J	
C311	NCB31HK-561X	C CAPACITOR	560pF 50V K		R203	NRSA63J-0R0X	MG RESISTOR	0Ω 1/16W J	
C312	NCB31HK-561X	C CAPACITOR	560pF 50V K		R204	NRSA63J-563X	MG RESISTOR	56kΩ 1/16W J	
C313	NCB31HK-561X	C CAPACITOR	560pF 50V K		R205	NRSA63J-273X	MG RESISTOR	27kΩ 1/16W J	
C314	NCB31HK-331X	C CAPACITOR	330pF 50V K		R206	NRSA63J-303X	MG RESISTOR	30kΩ 1/16W J	
C315	NCB31HK-471X	C CAPACITOR	470pF 50V K		R207	NRSA63J-683X	MG RESISTOR	68kΩ 1/16W J	
C316	NCS31HJ-271X	C CAPACITOR	270pF 50V J		R208	NRSA63J-223X	MG RESISTOR	22kΩ 1/16W J	
C317	NCS31HJ-121X	C CAPACITOR	120pF 50V J		R209	NRSA63J-223X	MG RESISTOR	22kΩ 1/16W J	
C318	NCB31CK-104X	C CAPACITOR	0.1uF 16V K		R210	NRSA63J-103X	MG RESISTOR	10kΩ 1/16W J	
C319	NCB31HK-102X	C CAPACITOR	1000pF 50V K		R211	NRSA63J-103X	MG RESISTOR	10kΩ 1/16W J	
C320	NCB31HK-102X	C CAPACITOR	1000pF 50V K		R212	NRSA63J-103X	MG RESISTOR	10kΩ 1/16W J	
C321	NCB31HK-102X	C CAPACITOR	1000pF 50V K		R216	NRSA63J-0R0X	MG RESISTOR	0Ω 1/16W J	
C322	NCB31HK-562X	C CAPACITOR	5600pF 50V K		R217	NRSA63J-181X	MG RESISTOR	180Ω 1/16W J	
C323	NCB31HK-102X	C CAPACITOR	1000pF 50V K		R219	NRSA63J-183X	MG RESISTOR	18kΩ 1/16W J	
C324	NCB31CK-104X	C CAPACITOR	0.1uF 16V K		R220	NRSA63J-243X	MG RESISTOR	24kΩ 1/16W J	
C325	NCS31HJ-470X	C CAPACITOR	47pF 50V J		R221	NRSA63J-103X	MG RESISTOR	10kΩ 1/16W J	
C326	NCB31CK-183X	C CAPACITOR	0.018uF 16V K		R222	NRSA63J-103X	MG RESISTOR	10kΩ 1/16W J	
C327	NCB31HK-102X	C CAPACITOR	1000pF 50V K		R223	NRSA63J-0R0X	MG RESISTOR	0Ω 1/16W J	
C328	NCB31CK-104X	C CAPACITOR	0.1uF 16V K		R251	NRS125J-R47X	MG RESISTOR	0.47Ω 1/2W J	
C329	NCB31CK-103X	C CAPACITOR	0.01uF 16V K		R252	NRSA63J-2R2X	MG RESISTOR	2.2Ω 1/16W J	
C330	NCB31CK-104X	C CAPACITOR	0.1uF 16V K		R253	NRSA63J-0R0X	MG RESISTOR	0Ω 1/16W J	
C331	NCB31CK-103X	C CAPACITOR	0.01uF 16V K		R254	NRSA63J-203X	MG RESISTOR	20kΩ 1/16W J	
C332	NCB21CK-105X	C CAPACITOR	1uF 16V K		R255	NRSA63J-0R0X	MG RESISTOR	0Ω 1/16W J	
C333	NCB31CK-104X	C CAPACITOR	0.1uF 16V K		R256	NRSA63J-470X	MG RESISTOR	47Ω 1/16W J	
C334	NCB31CK-104X	C CAPACITOR	0.1uF 16V K		R258	NRSA63J-0R0X	MG RESISTOR	0Ω 1/16W J	
C335	NCB31CK-153X	C CAPACITOR	0.015uF 16V K		R259	NRSA63J-103X	MG RESISTOR	10kΩ 1/16W J	
C336	NCB31CK-103X	C CAPACITOR	0.01uF 16V K		R271	NRSA63J-473X	MG RESISTOR	47kΩ 1/16W J	
C337	NCB31CK-104X	C CAPACITOR	0.1uF 16V K		R272	NRSA63J-0R0X	MG RESISTOR	0Ω 1/16W J	
C338	NCB31CK-104X	C CAPACITOR	0.1uF 16V K		R273	NRSA63J-681X	MG RESISTOR	680Ω 1/16W J	
C339	NCB31CK-104X	C CAPACITOR	0.1uF 16V K		R274	NRSA63J-271X	MG RESISTOR	270Ω 1/16W J	
C340	NCB31CK-104X	C CAPACITOR	0.1uF 16V K		R275	NRSA63J-471X	MG RESISTOR	470Ω 1/16W J	
C341	NCB31CK-104X	C CAPACITOR	0.1uF 16V K		R276	NRSA63J-331X	MG RESISTOR	330Ω 1/16W J	
C342	NCB31CK-104X	C CAPACITOR	0.1uF 16V K		R281	NRSA63J-561X	MG RESISTOR	560Ω 1/16W J	
C343	NCB31CK-104X	C CAPACITOR	0.1uF 16V K		R282	NRSA63J-391X	MG RESISTOR	390Ω 1/16W J	
C344	NCB31CK-104X	C CAPACITOR	0.1uF 16V K		R283	NRSA63J-103X	MG RESISTOR	10kΩ 1/16W J	
C345	NCB31CK-104X	C CAPACITOR	0.1uF 16V K		R284	NRSA63J-102X	MG RESISTOR	1kΩ 1/16W J	
C346	NCB31CK-104X	C CAPACITOR	0.1uF 16V K		R291	NRSA63J-561X	MG RESISTOR	560Ω 1/16W J	
C347	NCB31CK-104X	C CAPACITOR	0.1uF 16V K		R292	NRSA63J-391X	MG RESISTOR	390Ω 1/16W J	
C348	NCB31CK-104X	C CAPACITOR	0.1uF 16V K		R293	NRSA63J-103X	MG RESISTOR	10kΩ 1/16W J	
C349	NCB31CK-104X	C CAPACITOR	0.1uF 16V K		R294	NRSA63J-102X	MG RESISTOR	1kΩ 1/16W J	
C350	NCB31CK-104X	C CAPACITOR	0.1uF 16V K		R301	NRSA63J-473X	MG RESISTOR	47kΩ 1/16W J	
C401	NBE40JM-476X	TA E CAPACITOR	47uF 6.3V M		R302	NRSA63J-473X	MG RESISTOR	47kΩ 1/16W J	
C402	NCB31HK-103X	C CAPACITOR	0.01uF 50V K		R303	NRSA63J-473X	MG RESISTOR	47kΩ 1/16W J	
C403	NCB31CK-104X	C CAPACITOR	0.1uF 16V K		R304	NRSA63J-473X	MG RESISTOR	47kΩ 1/16W J	
C404	NCB31CK-104X	C CAPACITOR	0.1uF 16V K		R305	NRSA63J-473X	MG RESISTOR	47kΩ 1/16W J	
C405	NCB31CK-104X	C CAPACITOR	0.1uF 16V K		R306	NRSA63J-473X	MG RESISTOR	47kΩ 1/16W J	
C406	NCB31CK-104X	C CAPACITOR	0.1uF 16V K		R307	NRSA63J-473X	MG RESISTOR	47kΩ 1/16W J	
C407	NCB31CK-104X	C CAPACITOR	0.1uF 16V K		R308	NRSA63J-0R0X	MG RESISTOR	0Ω 1/16W J	
C409	NDC31HJ-330X	C CAPACITOR	33pF 50V J		R309	NRSA63J-473X	MG RESISTOR	47kΩ 1/16W J	
C450	NCB31CK-104X	C CAPACITOR	0.1uF 16V K		R313	NRSA63J-473X	MG RESISTOR	47kΩ 1/16W J	
R101	NRSA63J-333X	MG RESISTOR	33kΩ 1/16W J		R317	NRSA63J-473X	MG RESISTOR	47kΩ 1/16W J	
					R319	NRSA63J-473X	MG RESISTOR	47kΩ 1/16W J	

△ Symbol No.	Part No.	Part Name	Description	Local	△ Symbol No.	Part No.	Part Name	Description	Local
R320	NRSA63J-105X	MG RESISTOR	1MΩ 1/16W J		CN202	QGF0523F1-05W	CONNECTOR	FFC/FPC (1-5)	
R321	NRSA63J-473X	MG RESISTOR	47kΩ 1/16W J		CN401	QGF0529C1-50W	CONNECTOR	FFC/FPC (1-50)	
R323	NRSA63J-473X	MG RESISTOR	47kΩ 1/16W J		CN402	QGF0522F1-06W	CONNECTOR	FFC/FPC (1-6)	
R324	NRSA63J-473X	MG RESISTOR	47kΩ 1/16W J		K101	NQR0007-002X	FERRITE BEADS		
R325	NRSA63J-123X	MG RESISTOR	12kΩ 1/16W J		K301	NQR0007-002X	FERRITE BEADS		
R326	NRSA63J-473X	MG RESISTOR	47kΩ 1/16W J		K302	NQR0007-002X	FERRITE BEADS		
R327	NRSA63J-105X	MG RESISTOR	1MΩ 1/16W J		K303	NQR0007-002X	FERRITE BEADS		
R328	NRSA63J-153X	MG RESISTOR	15kΩ 1/16W J		K304	NQR0007-002X	FERRITE BEADS		
R329	NRSA63J-473X	MG RESISTOR	47kΩ 1/16W J		K401	NQR0007-002X	FERRITE BEADS		
R330	NRSA63J-473X	MG RESISTOR	47kΩ 1/16W J		SW4	NSW0184-001X	DETECT SW		
R331	NRSA63J-473X	MG RESISTOR	47kΩ 1/16W J		SW5	NSW0183-001X	DETECT SW		
R332	NRSA63J-102X	MG RESISTOR	1kΩ 1/16W J		X301	NAX0542-001X	C RESONATOR	16.93MHz	
R333	NRSA63J-183X	MG RESISTOR	18kΩ 1/16W J		X401	NAX0543-001X	C RESONATOR	13.50MHz	
R334	NRSA63J-102X	MG RESISTOR	1kΩ 1/16W J						
R336	NRSA63J-273X	MG RESISTOR	27kΩ 1/16W J						
R337	NRSA63J-273X	MG RESISTOR	27kΩ 1/16W J						
R338	NRSA63J-472X	MG RESISTOR	4.7kΩ 1/16W J						
R339	NRSA63J-472X	MG RESISTOR	4.7kΩ 1/16W J						
R340	NRSA63J-103X	MG RESISTOR	10kΩ 1/16W J						
R341	NRSA63J-562X	MG RESISTOR	5.6kΩ 1/16W J						
R342	NRSA63J-103X	MG RESISTOR	10kΩ 1/16W J						
R343	NRSA63J-103X	MG RESISTOR	10kΩ 1/16W J						
R347	NRSA63J-101X	MG RESISTOR	100Ω 1/16W J						
R348	NRSA63J-101X	MG RESISTOR	100Ω 1/16W J						
R349	NRSA63J-101X	MG RESISTOR	100Ω 1/16W J						
R350	NRSA63J-101X	MG RESISTOR	100Ω 1/16W J						
R351	NRSA63J-101X	MG RESISTOR	100Ω 1/16W J						
R352	NRSA63J-101X	MG RESISTOR	100Ω 1/16W J						
R353	NRSA63J-101X	MG RESISTOR	100Ω 1/16W J						
R354	NRSA63J-101X	MG RESISTOR	100Ω 1/16W J						
R355	NRSA63J-101X	MG RESISTOR	100Ω 1/16W J						
R356	NRSA63J-101X	MG RESISTOR	100Ω 1/16W J						
R357	NRSA63J-101X	MG RESISTOR	100Ω 1/16W J						
R358	NRSA63J-101X	MG RESISTOR	100Ω 1/16W J						
R359	NRSA63J-0R0X	MG RESISTOR	0Ω 1/16W J						
R360	NRSA63J-0R0X	MG RESISTOR	0Ω 1/16W J						
R361	NRSA63J-0R0X	MG RESISTOR	0Ω 1/16W J						
R362	NRSA63J-0R0X	MG RESISTOR	0Ω 1/16W J						
R363	NRSA63J-0R0X	MG RESISTOR	0Ω 1/16W J						
R364	NRSA63J-0R0X	MG RESISTOR	0Ω 1/16W J						
R365	NRSA63J-0R0X	MG RESISTOR	0Ω 1/16W J						
R366	NRSA63J-0R0X	MG RESISTOR	0Ω 1/16W J						
R367	NRSA63J-0R0X	MG RESISTOR	0Ω 1/16W J						
R368	NRSA63J-0R0X	MG RESISTOR	0Ω 1/16W J						
R369	NRSA63J-0R0X	MG RESISTOR	0Ω 1/16W J						
R370	NRSA63J-0R0X	MG RESISTOR	0Ω 1/16W J						
R371	NRSA63J-0R0X	MG RESISTOR	0Ω 1/16W J						
R372	NRSA63J-0R0X	MG RESISTOR	0Ω 1/16W J						
R373	NRSA63J-0R0X	MG RESISTOR	0Ω 1/16W J						
R402	NRSA63J-472X	MG RESISTOR	4.7kΩ 1/16W J						
R408	NRSA63J-0R0X	MG RESISTOR	0Ω 1/16W J						
R411	NRSA63J-472X	MG RESISTOR	4.7kΩ 1/16W J						
R413	NRSA63J-472X	MG RESISTOR	4.7kΩ 1/16W J						
R414	NRSA63J-472X	MG RESISTOR	4.7kΩ 1/16W J						
R421	NRSA63J-0R0X	MG RESISTOR	0Ω 1/16W J						
R422	NRSA63J-103X	MG RESISTOR	10kΩ 1/16W J						
R423	NRSA63J-103X	MG RESISTOR	10kΩ 1/16W J						
R424	NRSA63J-472X	MG RESISTOR	4.7kΩ 1/16W J						
R425	NRSA63J-103X	MG RESISTOR	10kΩ 1/16W J						
R427	NRSA63J-680X	MG RESISTOR	68Ω 1/16W J						
R428	NRSA63J-472X	MG RESISTOR	4.7kΩ 1/16W J						
R429	NRSA63J-473X	MG RESISTOR	47kΩ 1/16W J						
R431	NRSA63J-472X	MG RESISTOR	4.7kΩ 1/16W J						
R432	NRSA63J-472X	MG RESISTOR	4.7kΩ 1/16W J						
R433	NRSA63J-473X	MG RESISTOR	47kΩ 1/16W J						
R434	NRSA63J-103X	MG RESISTOR	10kΩ 1/16W J						
R435	NRSA63J-104X	MG RESISTOR	100kΩ 1/16W J						
R436	NRSA63J-0R0X	MG RESISTOR	0Ω 1/16W J						
R437	NRSA63J-0R0X	MG RESISTOR	0Ω 1/16W J						
R438	NRSA63J-0R0X	MG RESISTOR	0Ω 1/16W J						
R439	NRSA63J-0R0X	MG RESISTOR	0Ω 1/16W J						
R440	NRSA63J-101X	MG RESISTOR	100Ω 1/16W J						
R441	NRSA63J-0R0X	MG RESISTOR	0Ω 1/16W J						
R442	NRSA63J-101X	MG RESISTOR	100Ω 1/16W J						
R443	NRSA63J-0R0X	MG RESISTOR	0Ω 1/16W J						
CN101	QGF0522F1-30W	CONNECTOR	FFC/FPC (1-30)						
CN201	QGF1038F1-11X	CONNECTOR	FFC/FPC (1-11)						

Packing materials and accessories parts list

Block No. M 3 M M



Packing and accessories

Block No. [M][3][M][M]

△ Symbol No.	Part No.	Part Name	Description	Local
A 1	LVT1054-001B	INST BOOK	ENG GER FRE DUT	
A 2	LVT1054-002B	INST BOOK	RUS SPA ITA SWE	
A 3	LVT1054-004A	INSTALL MANUAL	ENG GER FRE DUT	
A 4	LVT1054-005A	INSTALL MANUAL	RUS SPA ITA SWE	
A 5	LV40978-001A	CAUTION SHEET		
A 6	BT-54013-6	WARRANTY CARD		
A 7	VND3046-001	SERIAL TICKET		
A 8	VND3050-002	IDENTITY CARD		
A 9	LVT1082-002A	MP3 SHEET		
A 10	LVT1044-001A	DEMO SHEET		
A 11	LV43603-001A	CAUTION SHEET		
A 12	VKZ4027-202	PLUG NUT		
A 13	VKH4871-001SS	MOUNT BOLT		
A 14	VKZ4328-001	LOCK NUT		
A 15	WNS5000Z	WASHER		
A 16	GE40130-001A	HOOK	(x2)	
A 17	LV41478-002A	CORD CONNECTOR		
A 18	RM-RK210	REMOCON		
A 19	-----	BATTERY		
A 20	FSJB3002-00F	HARD CASE ASSY		
A 21	GE20137-003A	MOUNTING SLEEVE		
A 22	GE20149-003A	TRIM PLATE		
A 23	QAM0450-001	CAR CABLE		
KIT	SRW-3000U	SCREW PARTS KIT	A12 to A17	
P 1	FSPG4002-001	POLY BAG		
P 2	FSPG4002-001	POLY BAG		
P 3	QPA00801205	POLY BAG	8cm x 12cm	
P 4	FSYH4036-068	SHEET		
P 5	QPA01003003	POLY BAG	10cm x 30cm	
P 6	QPC03004315P	POLY BAG	30cm x 43cm	
P 7	LV34103-003A	CARTON		
P 8	LV10777-R02A	CUSHION(L)		
P 9	LV10778-R02A	CUSHION(R)		